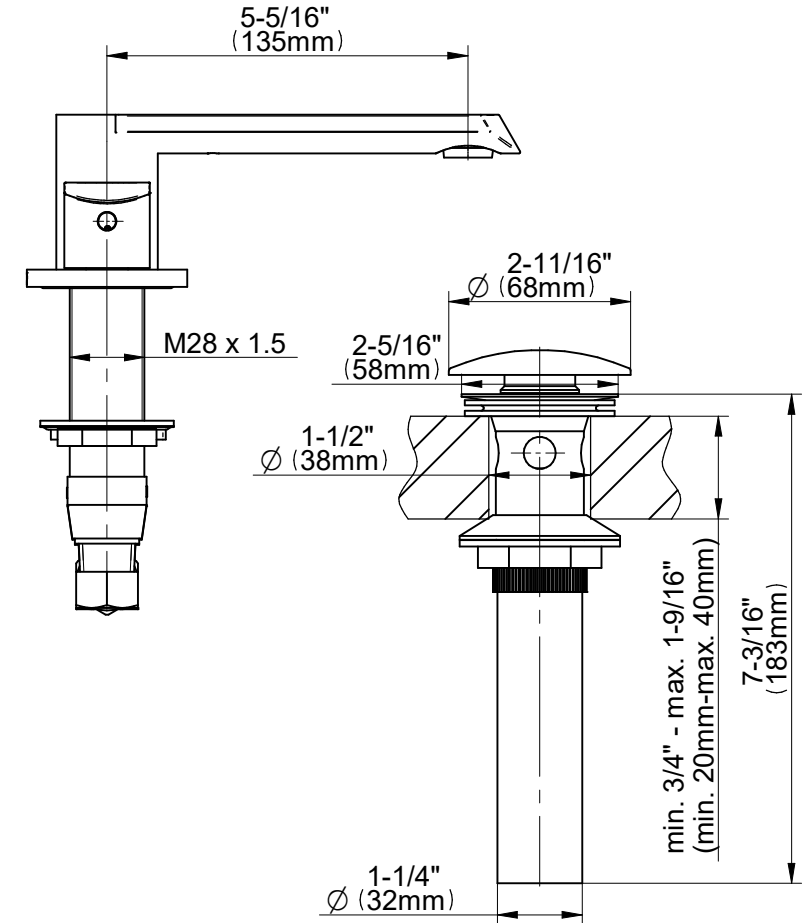
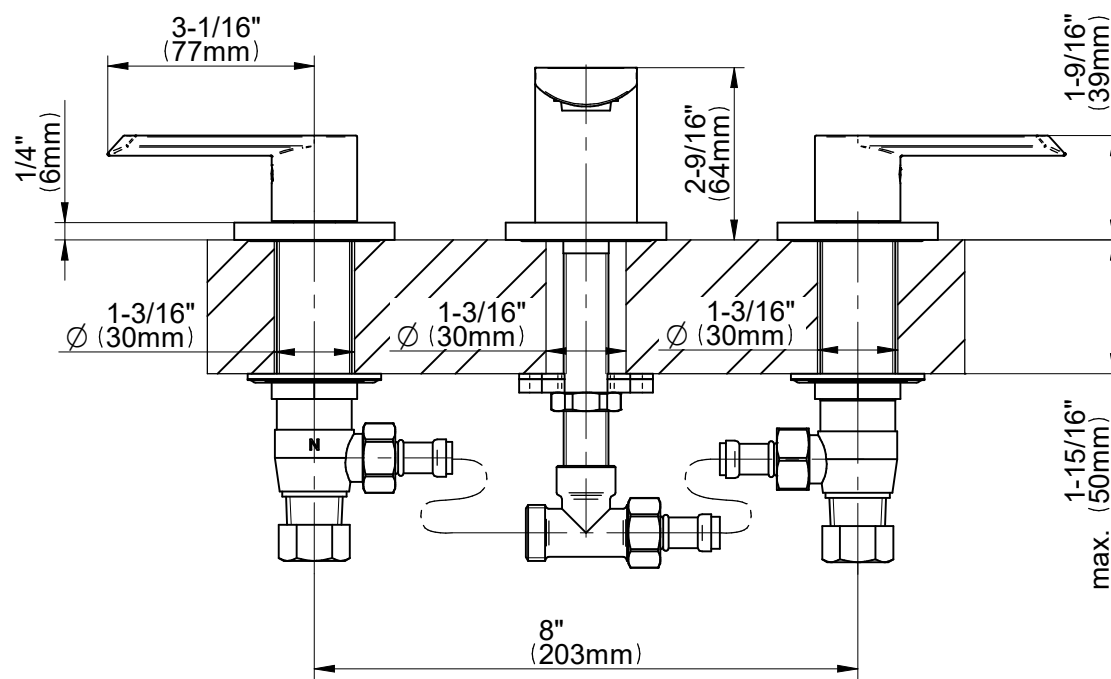


# G-6610-LM45B

## PHASE Series



**GRAFF®**  
Art of Bath