



Information

- Constructed from Sleek-Stone®, comprised of 75% natural dolomite minerals bonded with a unique resin to create a naturally durable material
- Freestanding installation
- With integrated overflow
- No faucet hole
- Includes G-9985 pop-up drain with overflow in chosen finish
- ~454 lb
- 66 gal capacity
- Resistant to UV, scratches, impacts, mold and mildew, stains, and thermal shock
- Smooth, non-porous and fully deaerated

Finishes



Gloss Sleek-
Stone®



Matte Sleek-
Stone®

TEPHI

TEP54-OF-**-***

Bathtub in Sleek-Stone®



PRODUCT FEATURES

- Constructed from Sleek-Stone®, comprised of 75% natural dolomite minerals bonded with a unique resin to create a naturally durable material
- Freestanding installation
- With integrated overflow
- No faucet hole
- Includes G-9985 pop-up drain with overflow in chosen finish



~454 lb



66 gal



G-9985-***

TEP54-OF-GL-***

GLOSS

TEP54-OF-MT-***

MATTE

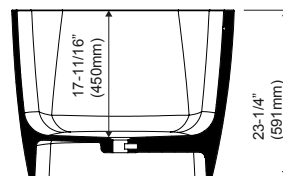
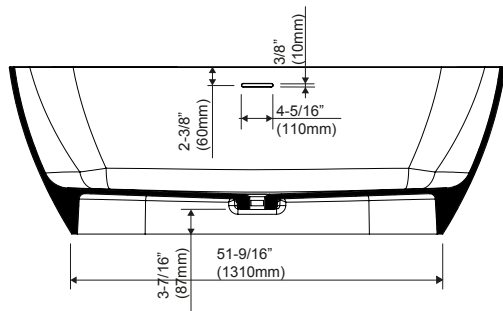
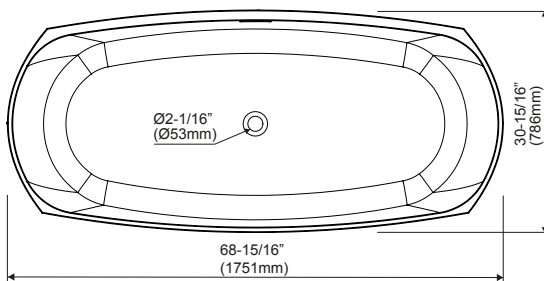
Bathtub Drain Finish Options ***

PC, GL, MT

BNi, PN, UB*

SN, OB

BK*, AU*, BAU*



The measurements shown are for reference only. Products and specifications shown are subject to change without notice. Revised 10/2017

www.graff-designs.com | phone: 800-954-4723