



Product Features

- Installs on 8
- Swivel Spout
- Aerated flow rate ?1.8 max gpm, side spray flow rate ?1.8 max gpm
- Includes matching independent side spray w/ progressive valve and dual-function spray/stream pull-out sprayhead
- Reverse osmosis compatible

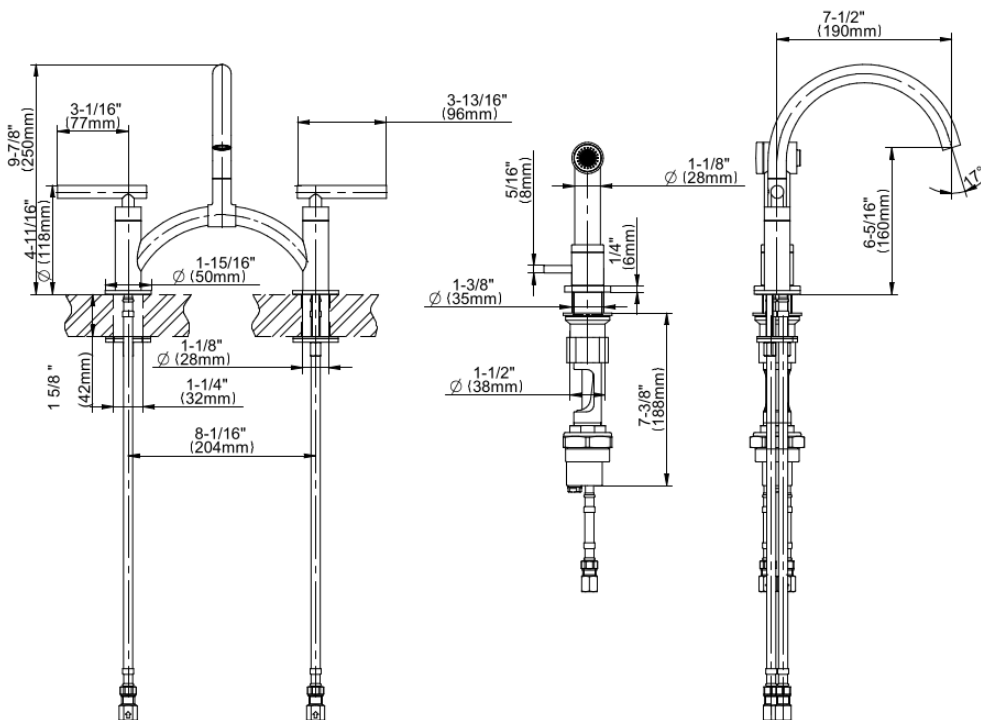
Code compliance

- ADA
- CALGreen

Available Finishes

- Brushed Brass PVD[®]
- Brushed Gold PVD[®]
- Architectural Black™
- Brushed Nickel
- Brushed Nickel PVD[®]
- Brushed Onyx PVD[®]
- Brushed Tuscan Bronze PVD[®]
- Rose Gold / Brushed Copper PVD[®]
- Gunmetal PVD[®]
- Matte Black
- Olive Bronze
- Onyx PVD[®]
- Polished Brass PVD[®]
- Polished Chrome
- Polished Gold PVD[®]
- Polished Nickel
- Polished Nickel PVD[®]
- Polished Tuscan Bronze PVD[®]
- Rose Gold / Polished Copper PVD[®]
- Satin Gold PVD[®]
- Steelnox[®] (Satin Nickel)
- Vintage Brushed Brass
- Warm Bronze PVD[®]
- Architectural White

* Special order finish - call for availability



Sospiro
G-5895-LM49
Sospiro Bridge Bar/Prep Faucet w/ Independent Side
Spray

GRAFF[®]