



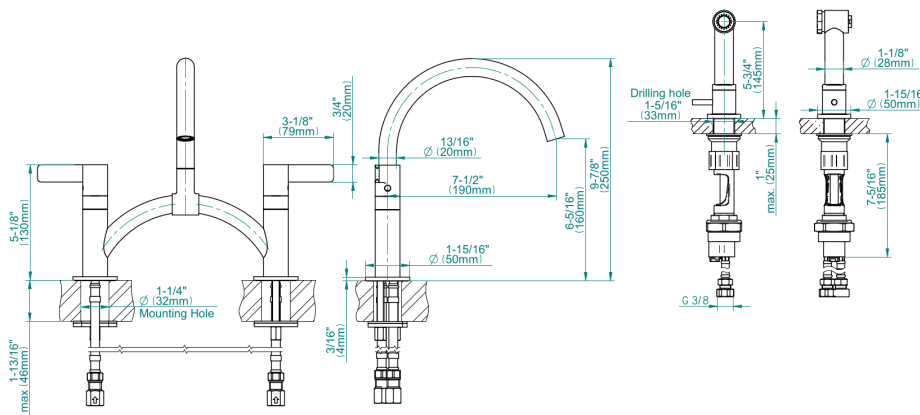
Product Features

- Installs on 8" centers
- Swivel spout
- Aerated flow rate ?1.8 max gpm, side spray flow rate ?1.8 max gpm
- Includes matching independent side spray w/ progressive valve and dual-function spray/stream pull-out sprayhead
- Reverse osmosis compatible

Code compliance

- ADA
- CALGreen

Sosprio Series



CUTTING EDGE DESIGN