



Caractéristiques du produit

- Installs on 8
- Swivel Spout
- Aerated flow rate ?1.8 max gpm, side spray flow rate ?1.8 max gpm
- Includes matching independent side spray w/ progressive valve and dual-function spray/stream pull-out sprayhead
- Reverse osmosis compatible

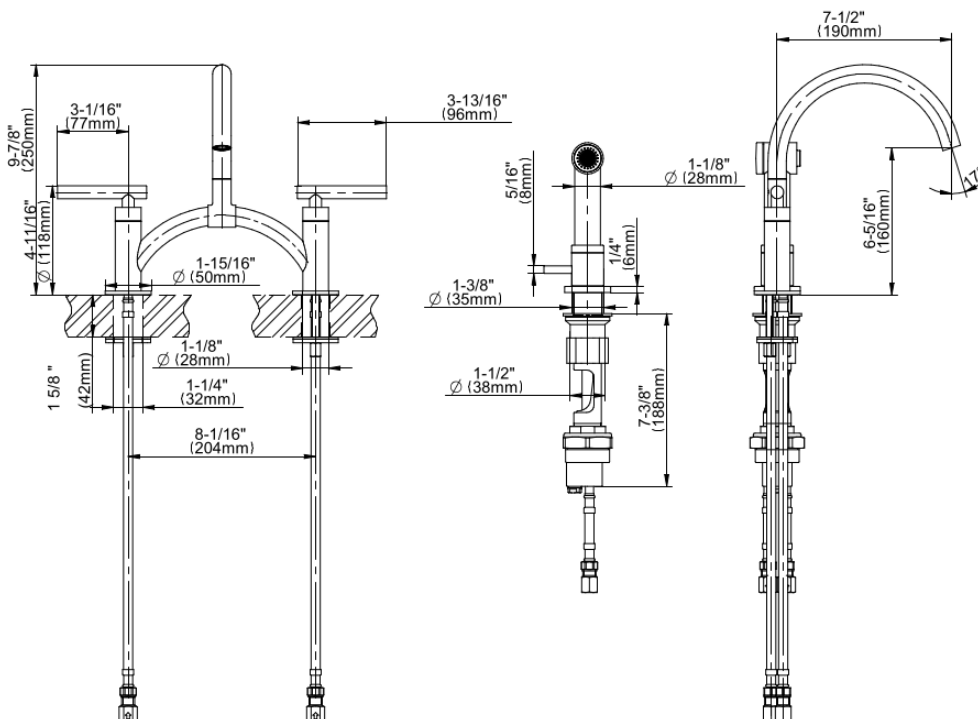
Conformité aux codes

- ADA
- CALGreen

Finitions disponibles

- Laiton brossé PVD®
- Or brossé PVD®
- Noir_Architectural Black™
- Nickel brossé
- Nickel brossé PVD®
- Onyx brossé PVD®
- Bronze toscan brossé PVD®
- Or Rose / Cuivre Brossé PVD®
- Gunmetal PVD®
- Matt noir
- Bronze olive
- Onyx PVD®
- Laiton poli PVD®
- Chrome poli
- Or poli PVD®
- Nickel poli
- Nickel poli PVD®
- Bronze toscan poli PVD®
- Or Rose / Cuivre Poli PVD®
- Or satiné PVD®
- Nickel satiné Steelnox®
- Laiton brossé Vintage
- Warm Bronze PVD®
- Blanc

* Finition sur commande spéciale - appelez pour disponibilité



Sospiro
G-5895-LM49
Sospiro Bridge Bar/Prep Faucet w/ Independent Side
Spray

GRAFF[®]