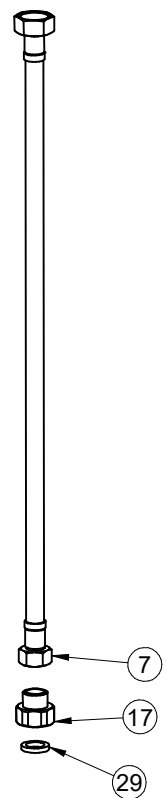
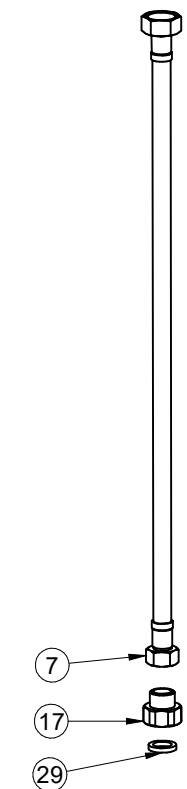
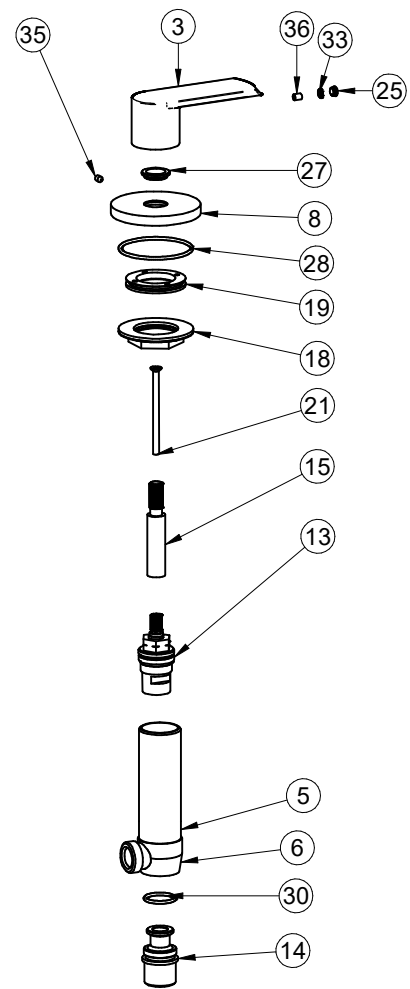
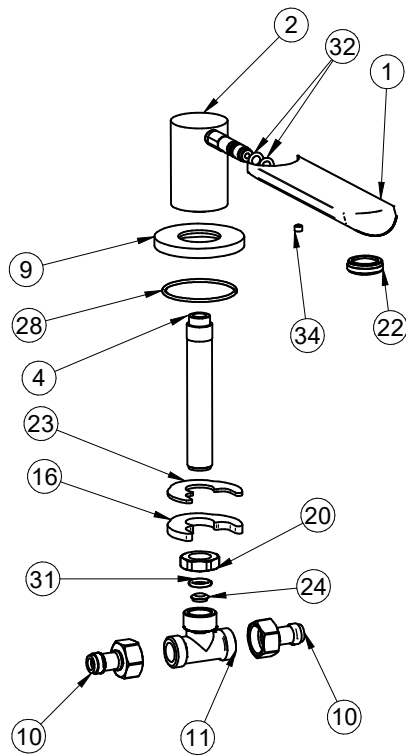
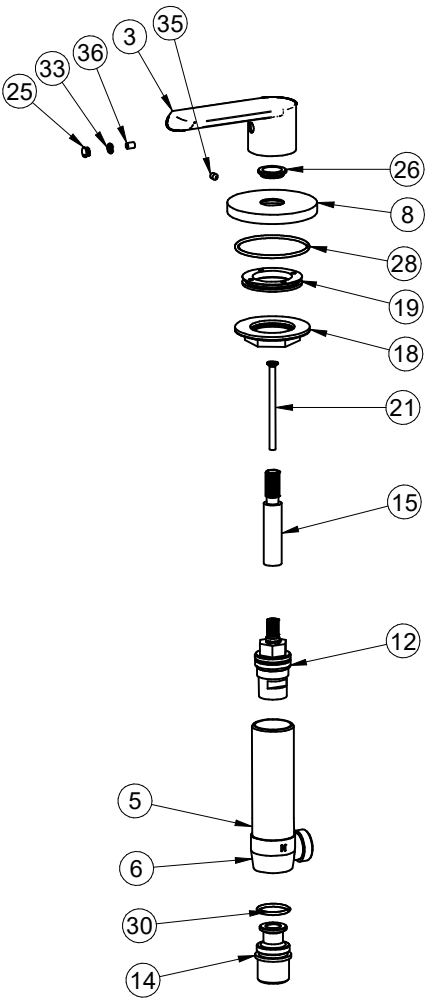


E-6610-LM45B

PHASE Series



GRAFF[®]
Art of Bath