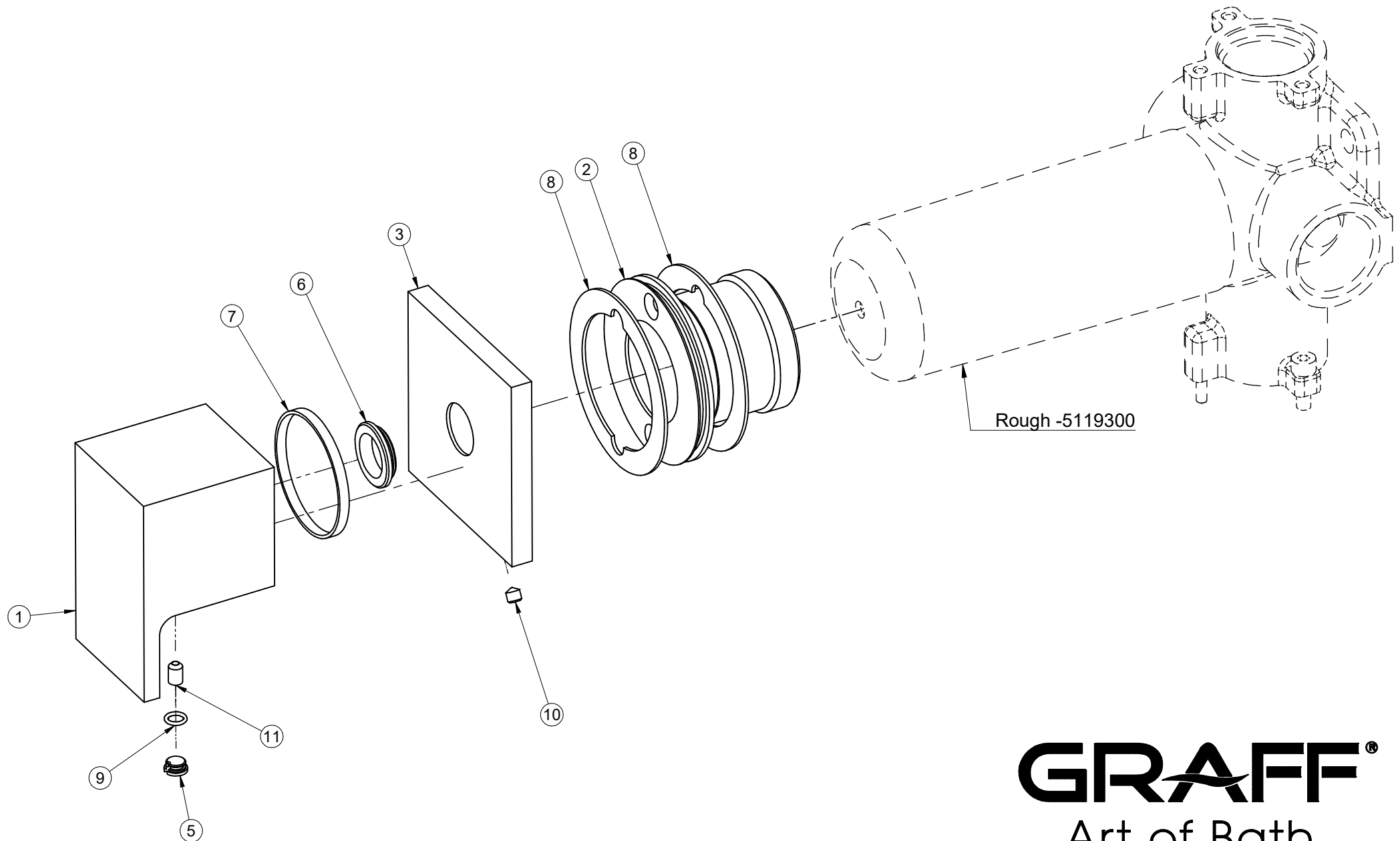


# E-8072-LM31E1-\*\*-T

## SOLAR Series



**GRAFF**<sup>®</sup>  
Art of Bath