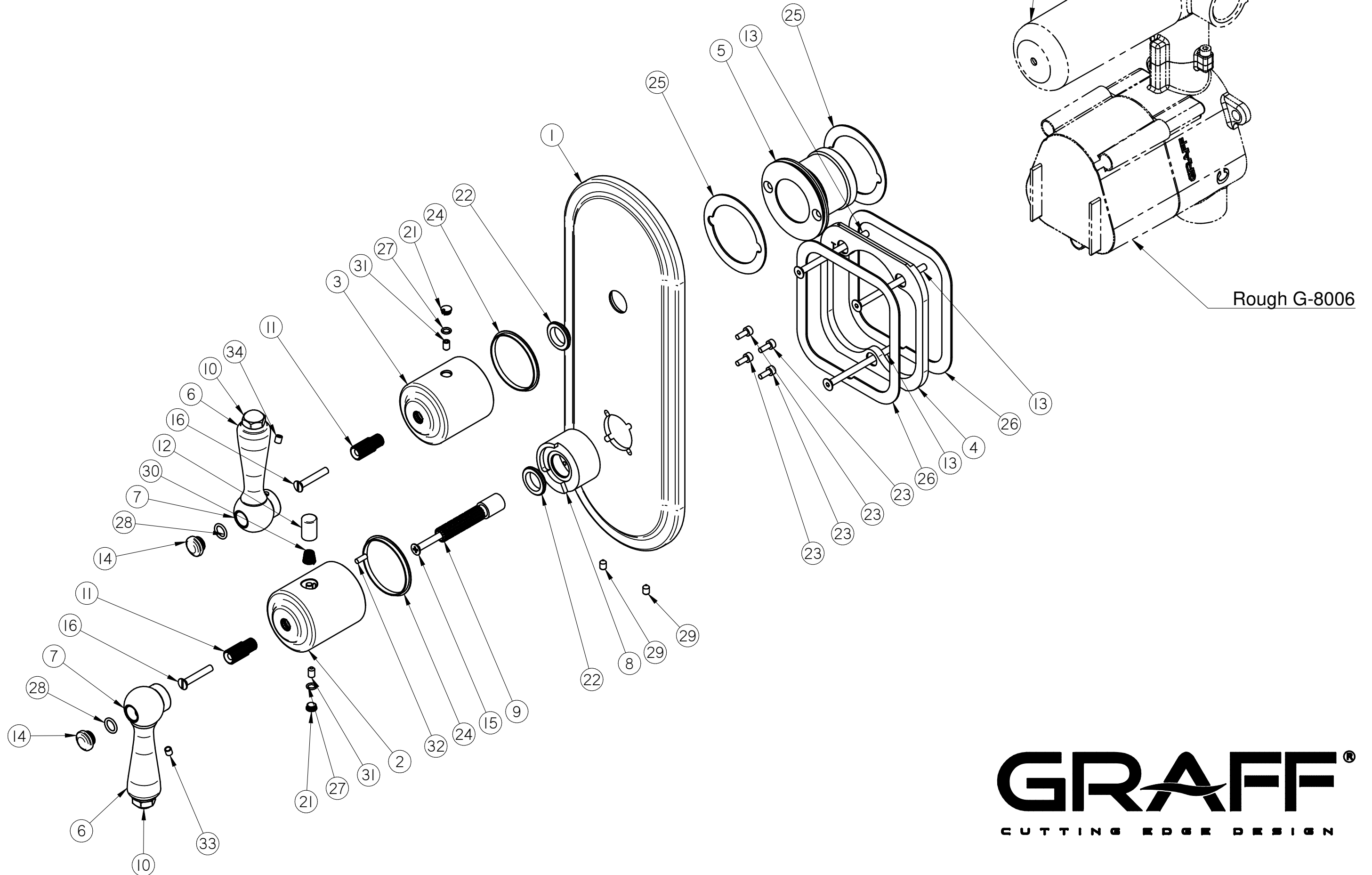


E-8086-LM48E0-T

M-Series Traditional Series

Rough 5119200
or 5119300 or 5119400



GRAFF[®]
CUTTING EDGE DESIGN