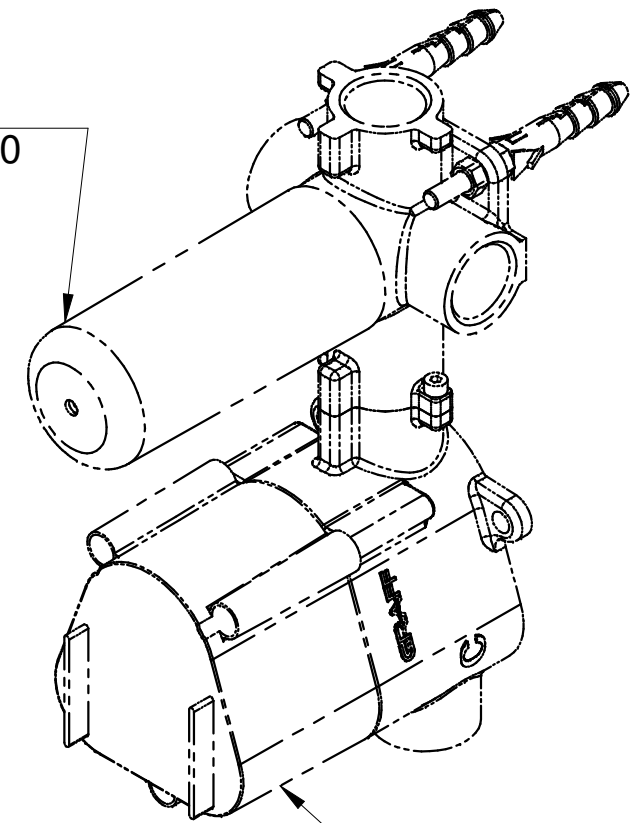


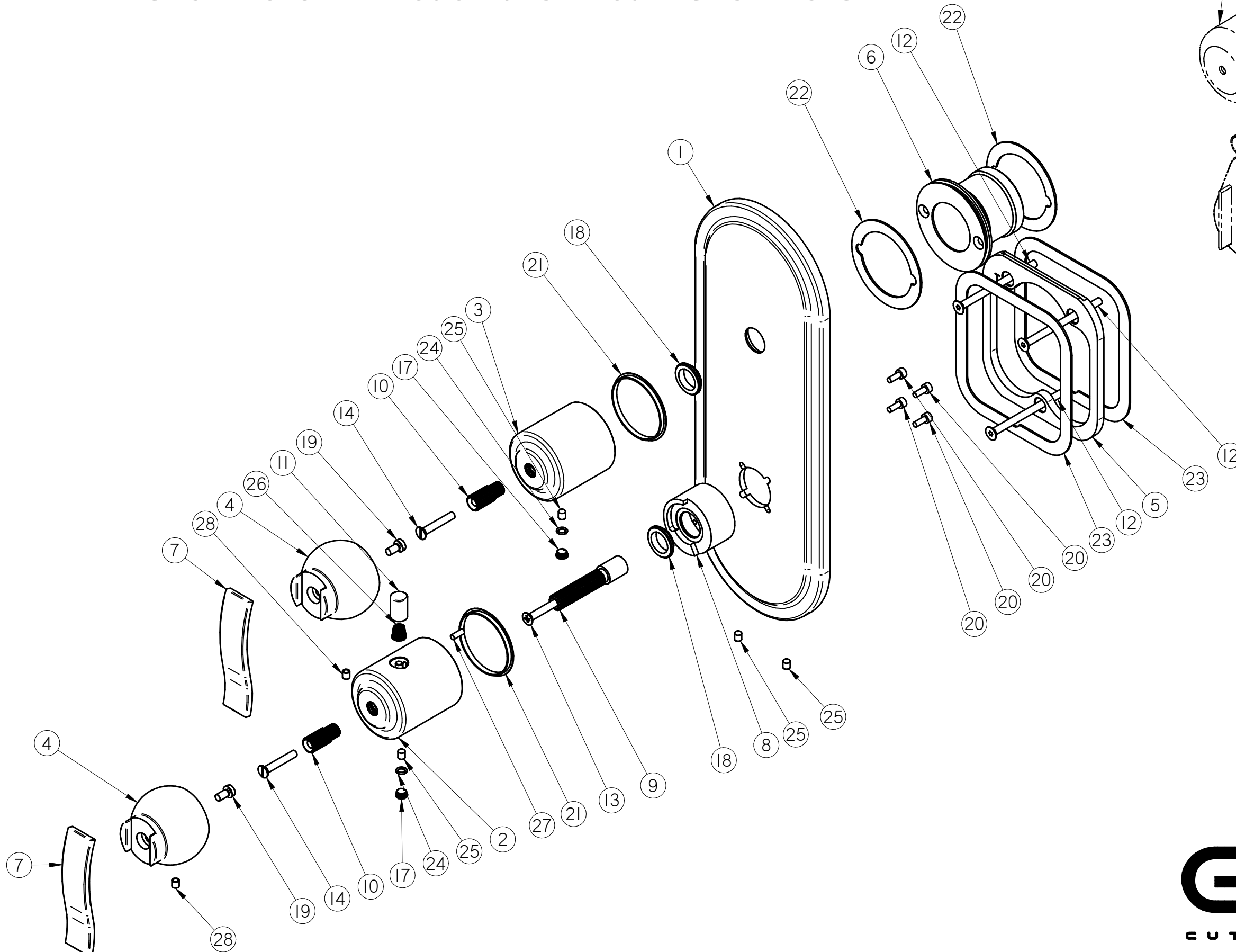
E-8086-LM20E-T

M-Series Traditional Series

Rough 5119200
or 5119300 or 5119400



Rough G-8006



GRAFF[®]
CUTTING EDGE DESIGN