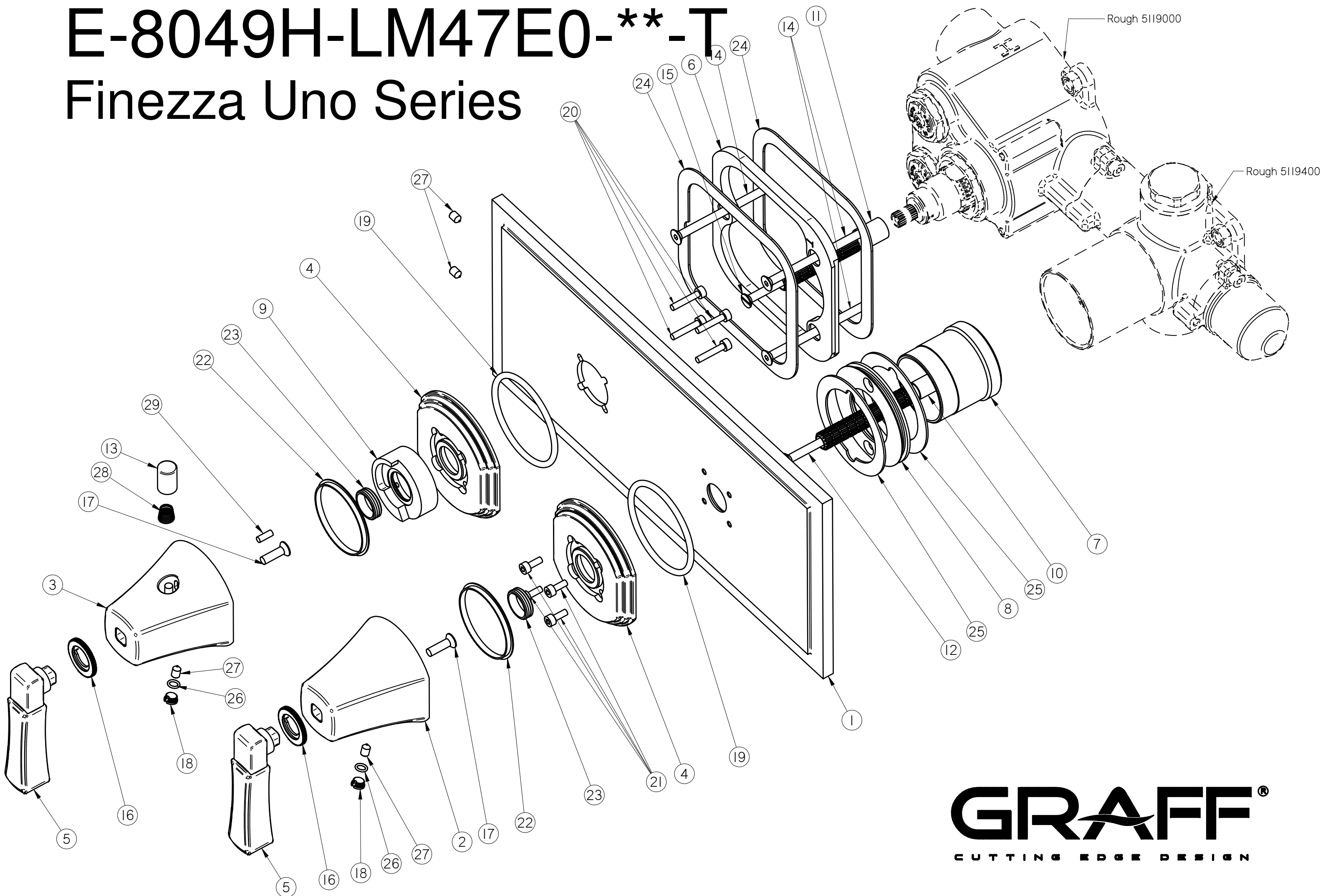


E-8049H-LM47E0-**-T

Finezza Uno Series



GRAFF[®]
CUTTING EDGE DESIGN