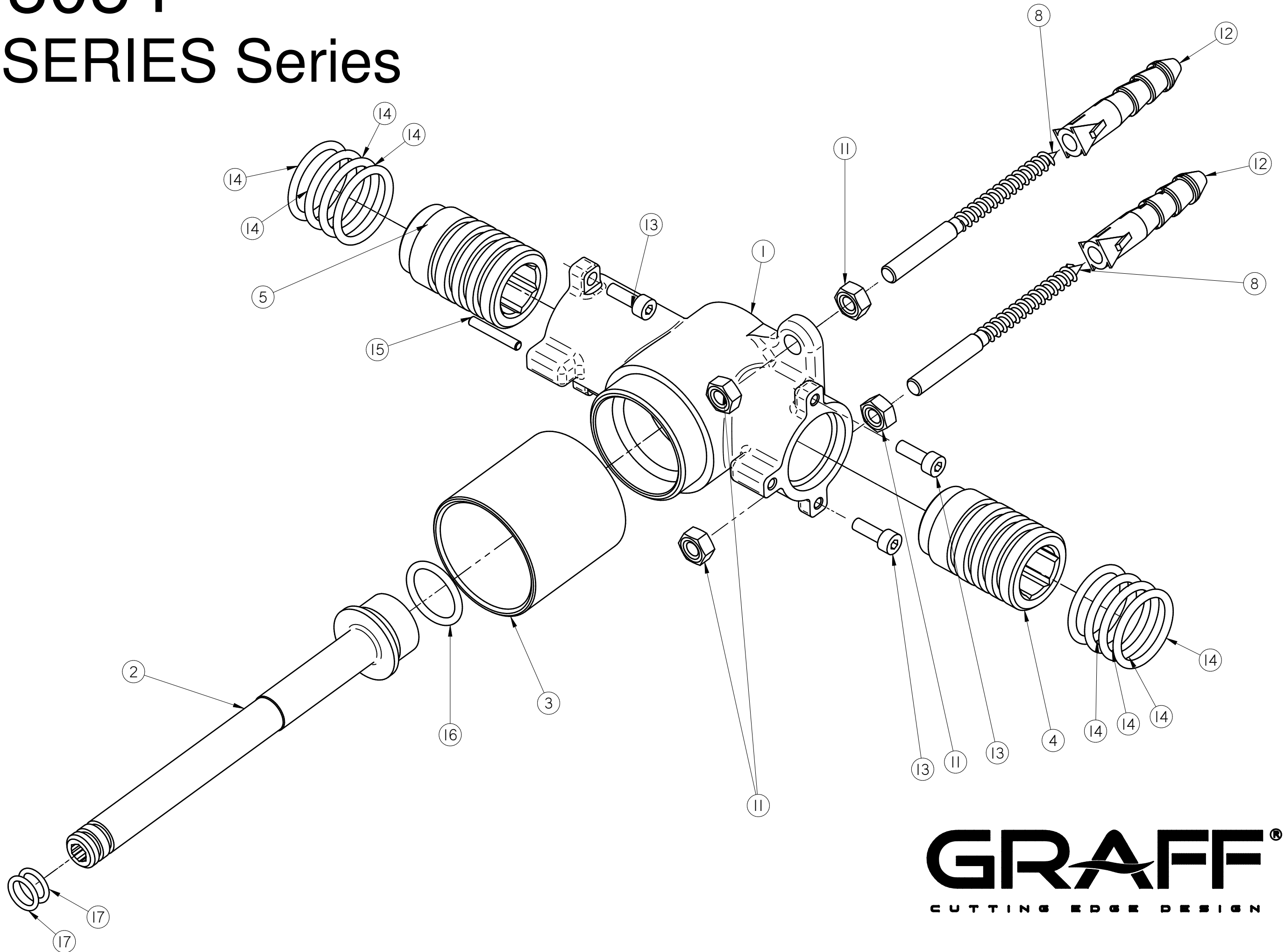


E-8054

M-SERIES Series



GRAFF[®]
CUTTING EDGE DESIGN