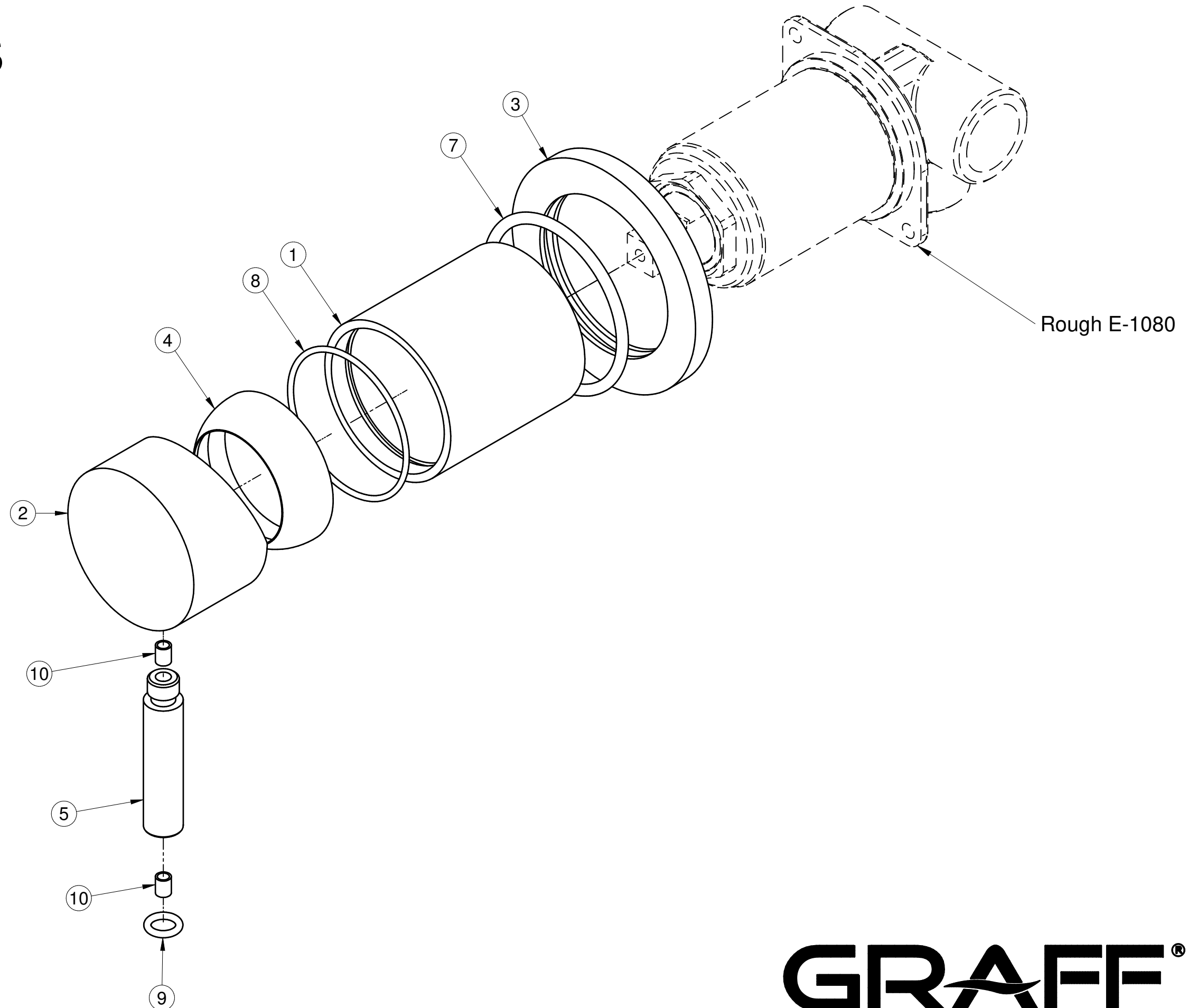


E-0036-LM41W-T

M.E. Series



GRAFF®