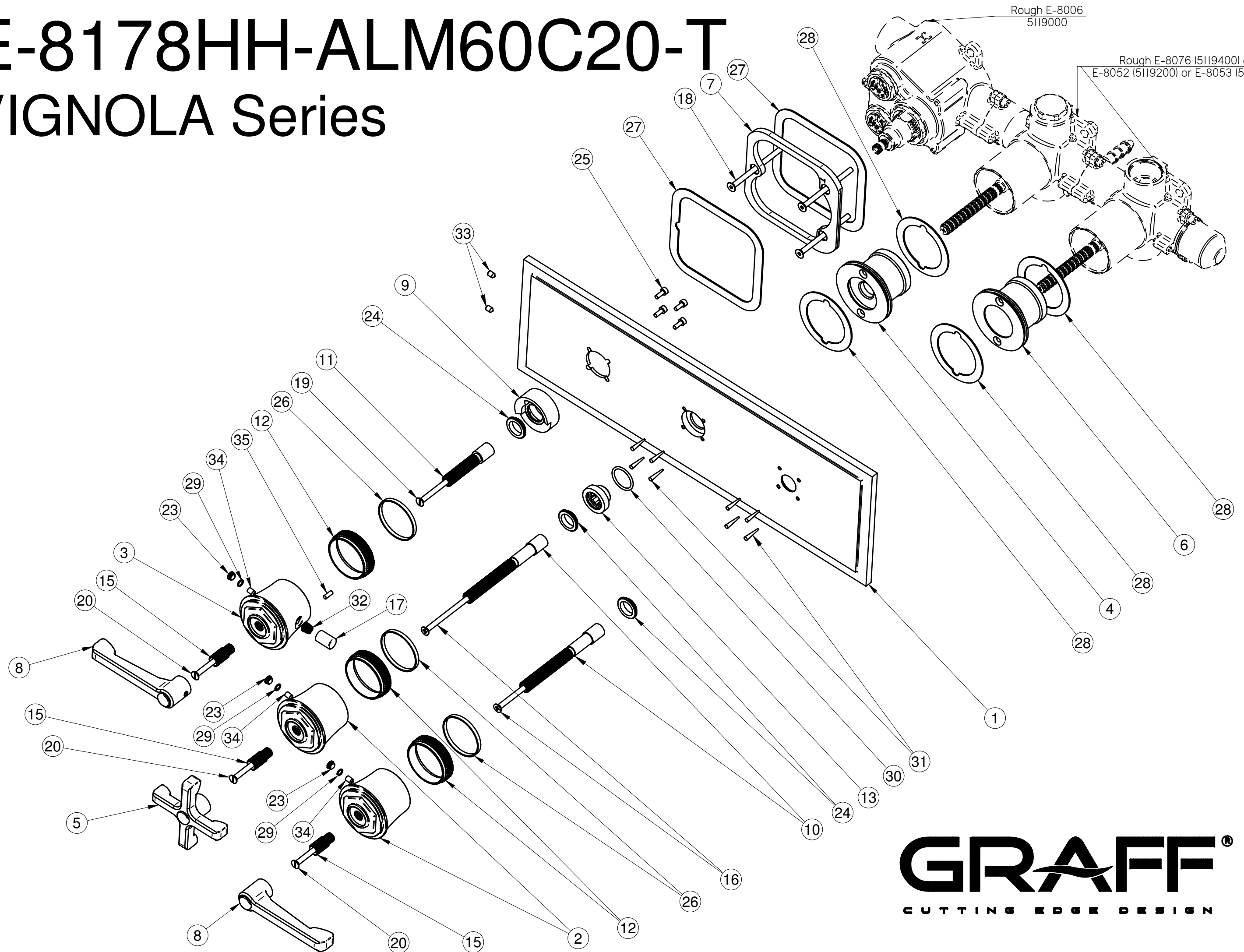


E-8178HH-ALM60C20-T

VIGNOLA Series



GRAFF[®]
CUTTING EDGE DESIGN