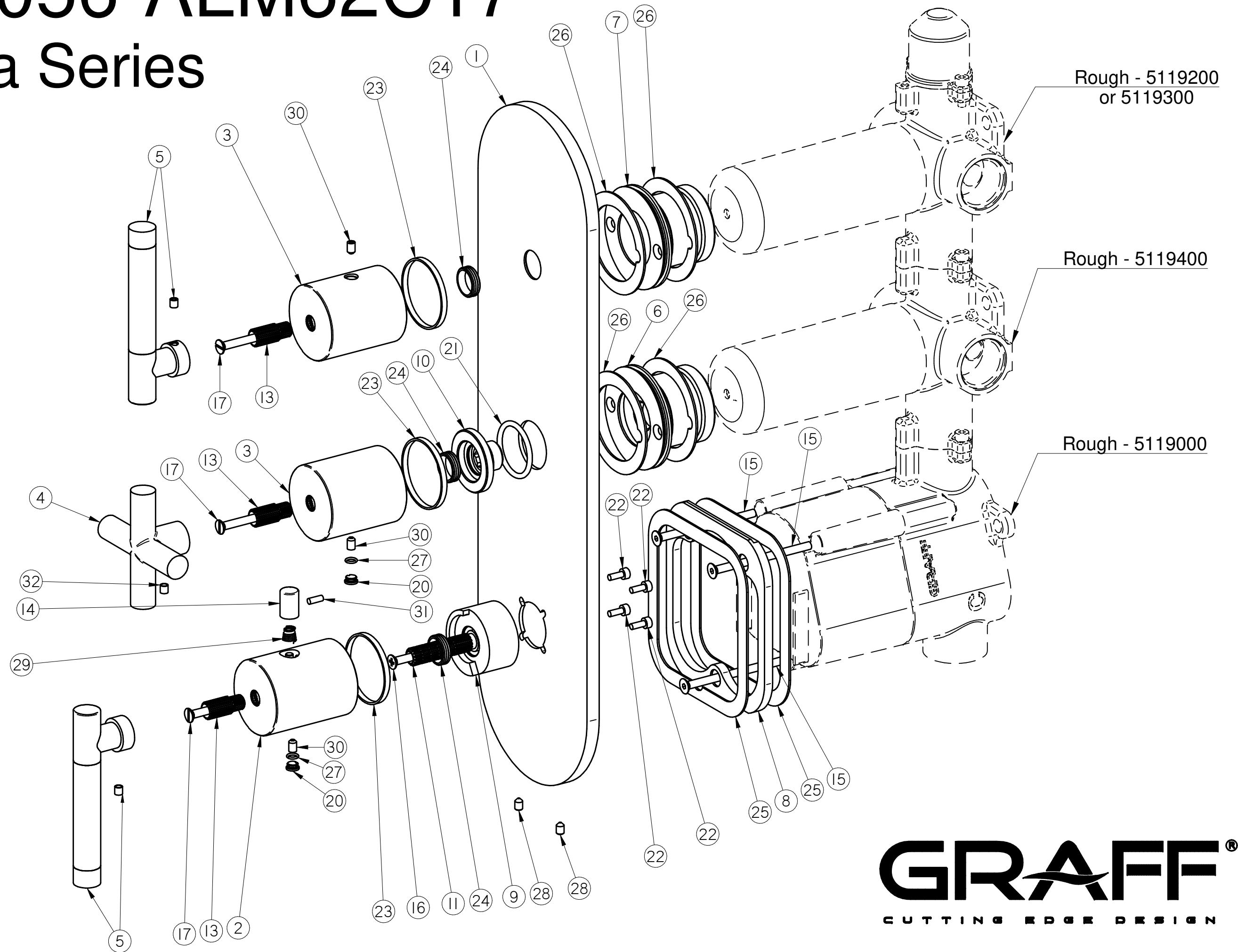


E-8056-ALM62C17

Terra Series



GRAFF[®]
CUTTING EDGE DESIGN