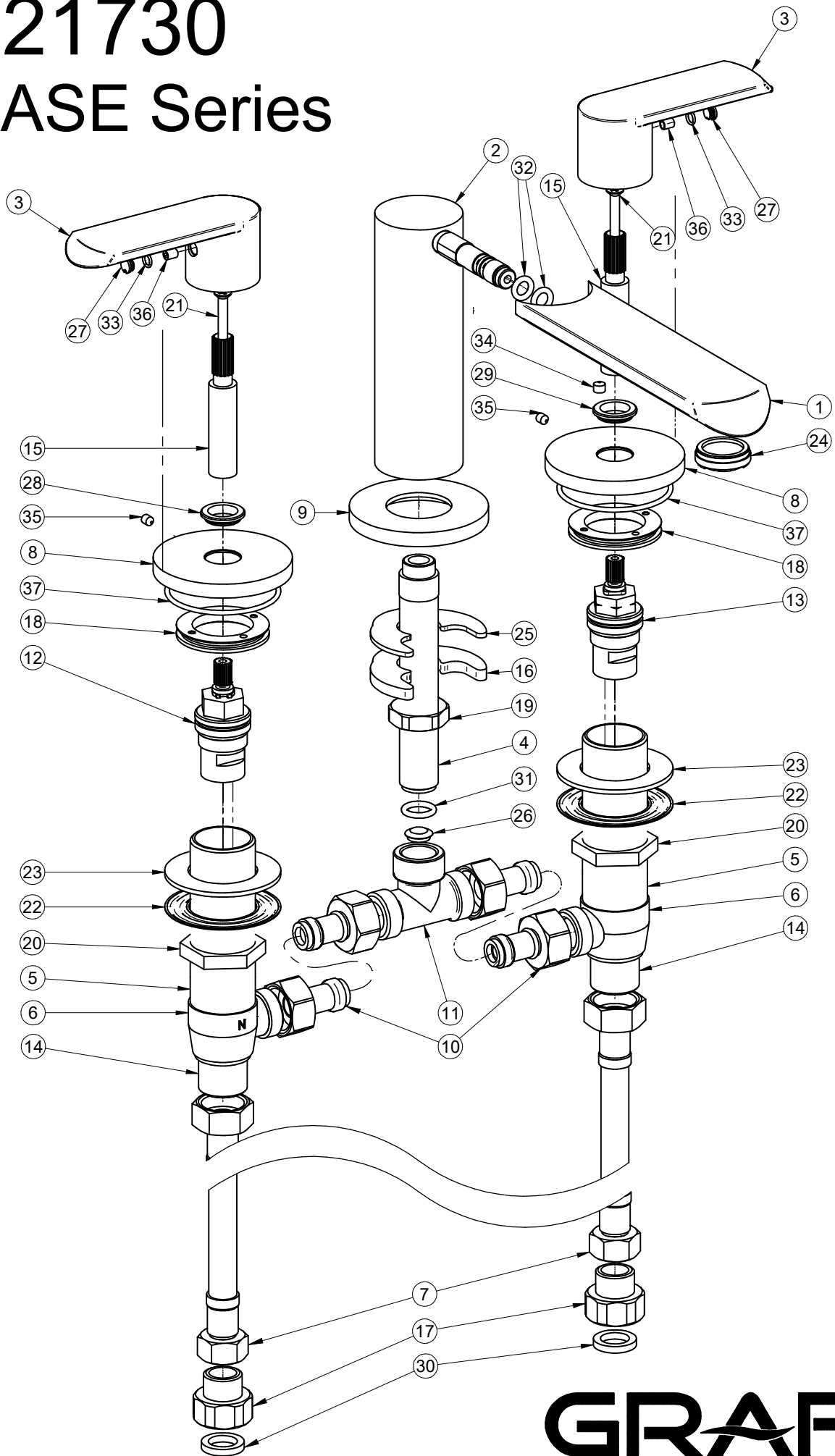


5721730

PHASE Series



GRAFF[®]
Art of Bath