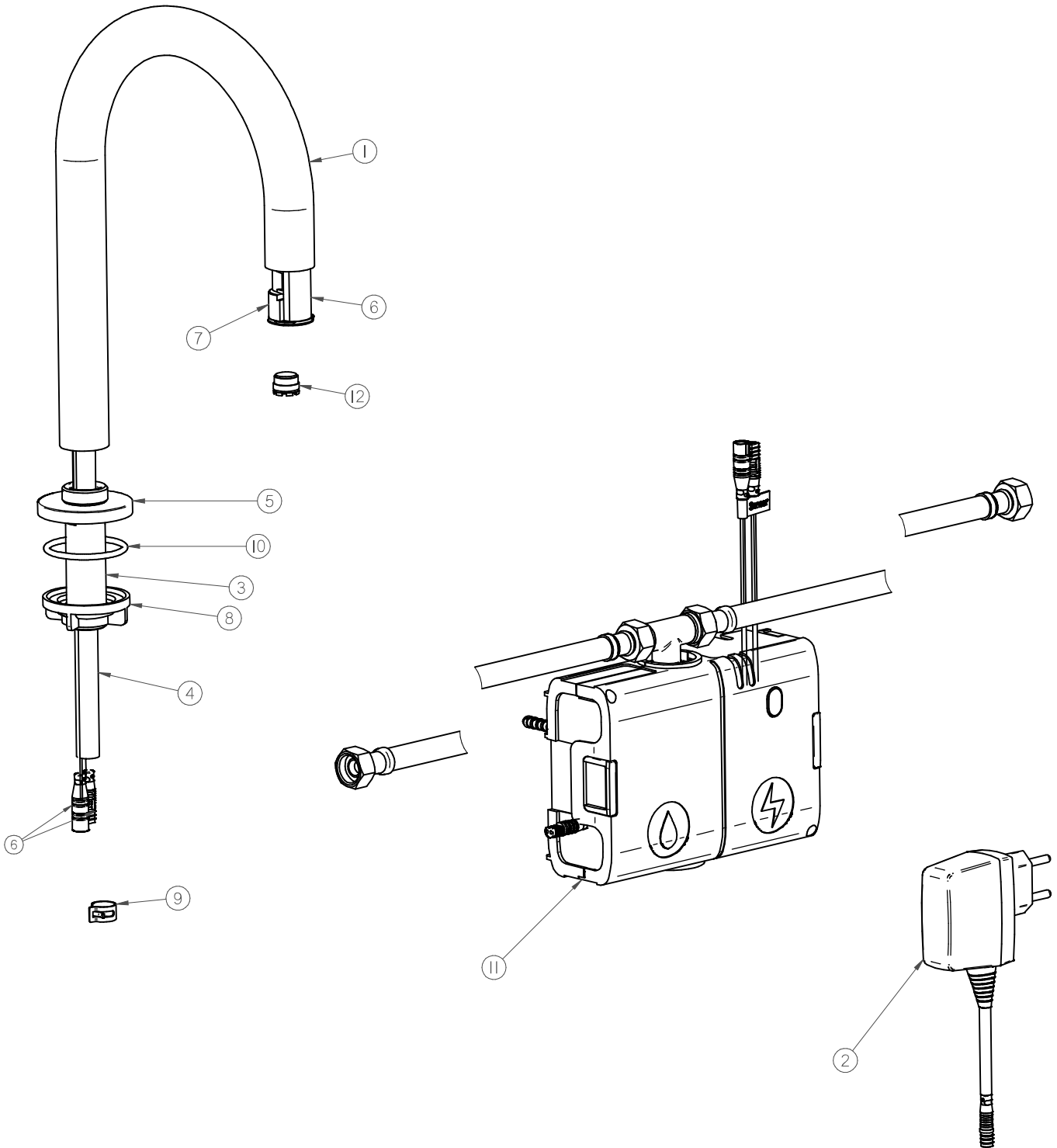


# E-6111TF

## SENSOR MIXERS Series



**GRAFF**<sup>®</sup>  
Art of Bath