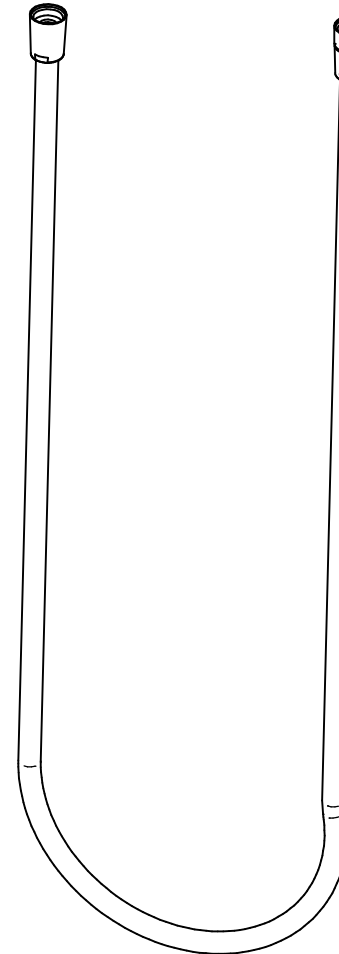
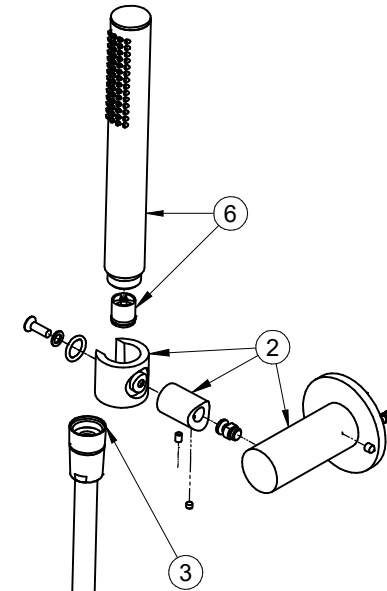
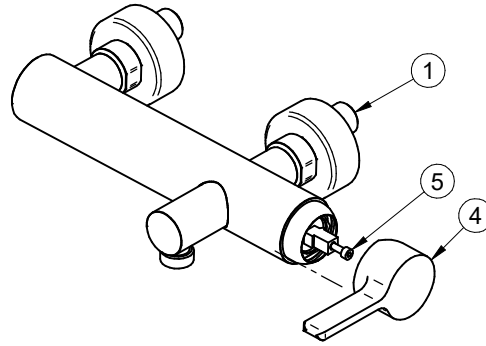


# EX-11172-LM46X-\*\*

## TERRA Series



**GRAFF®**  
Art of Bath