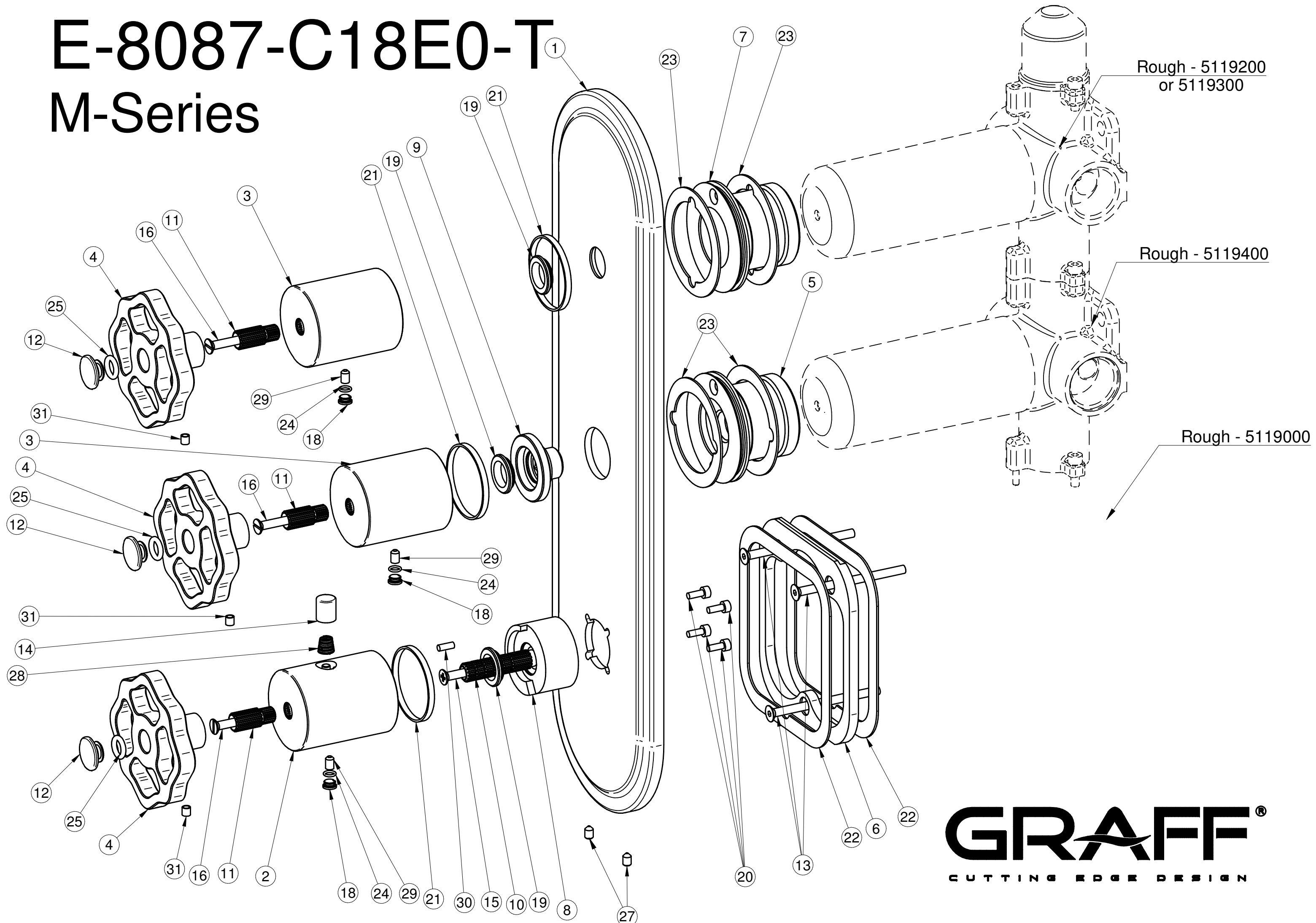


E-8087-C18E0-T

M-Series



GRAFF[®]
CUTTING EDGE DESIGN