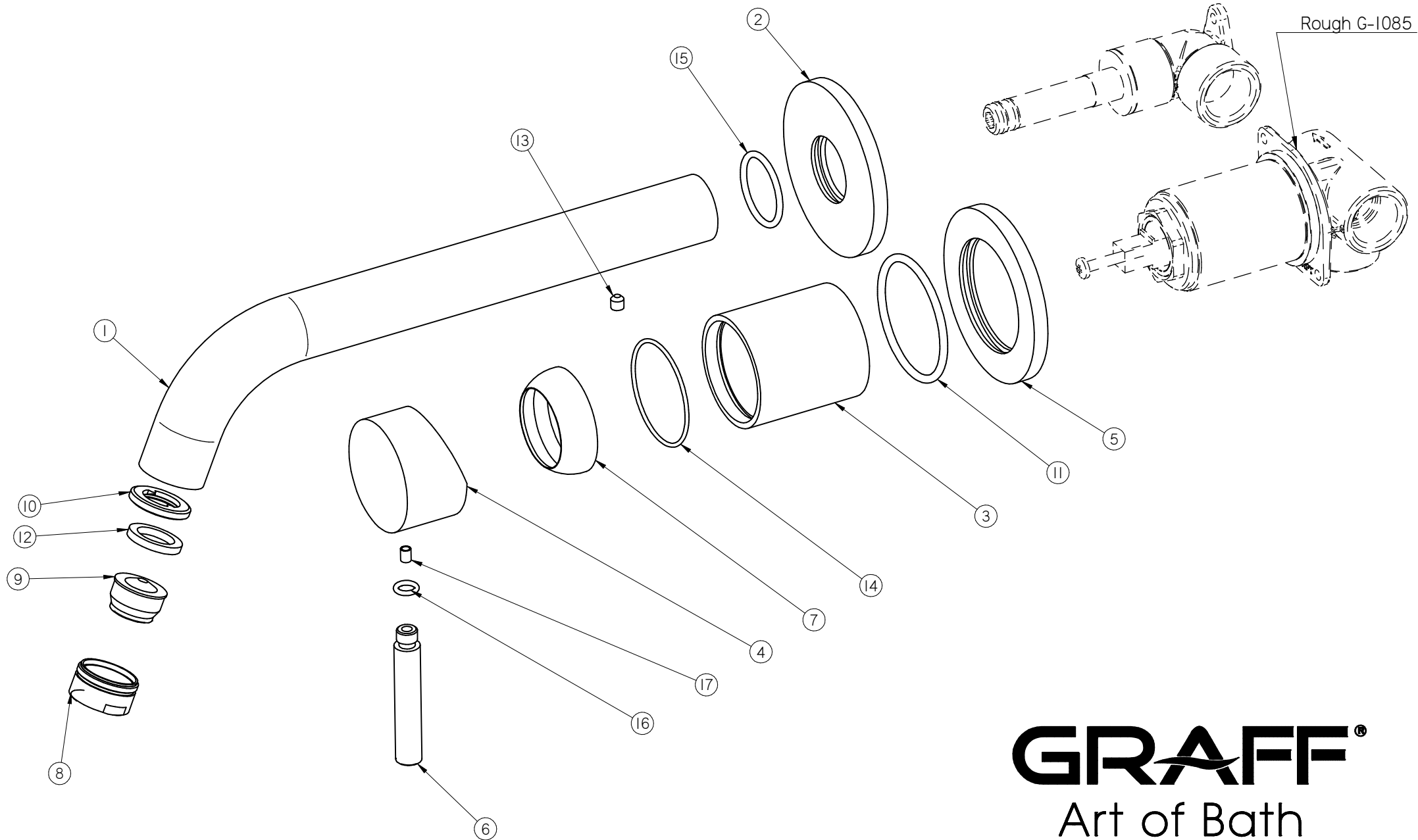


G-6136-LM41W-T

M.E. Series



GRAFF[®]
Art of Bath