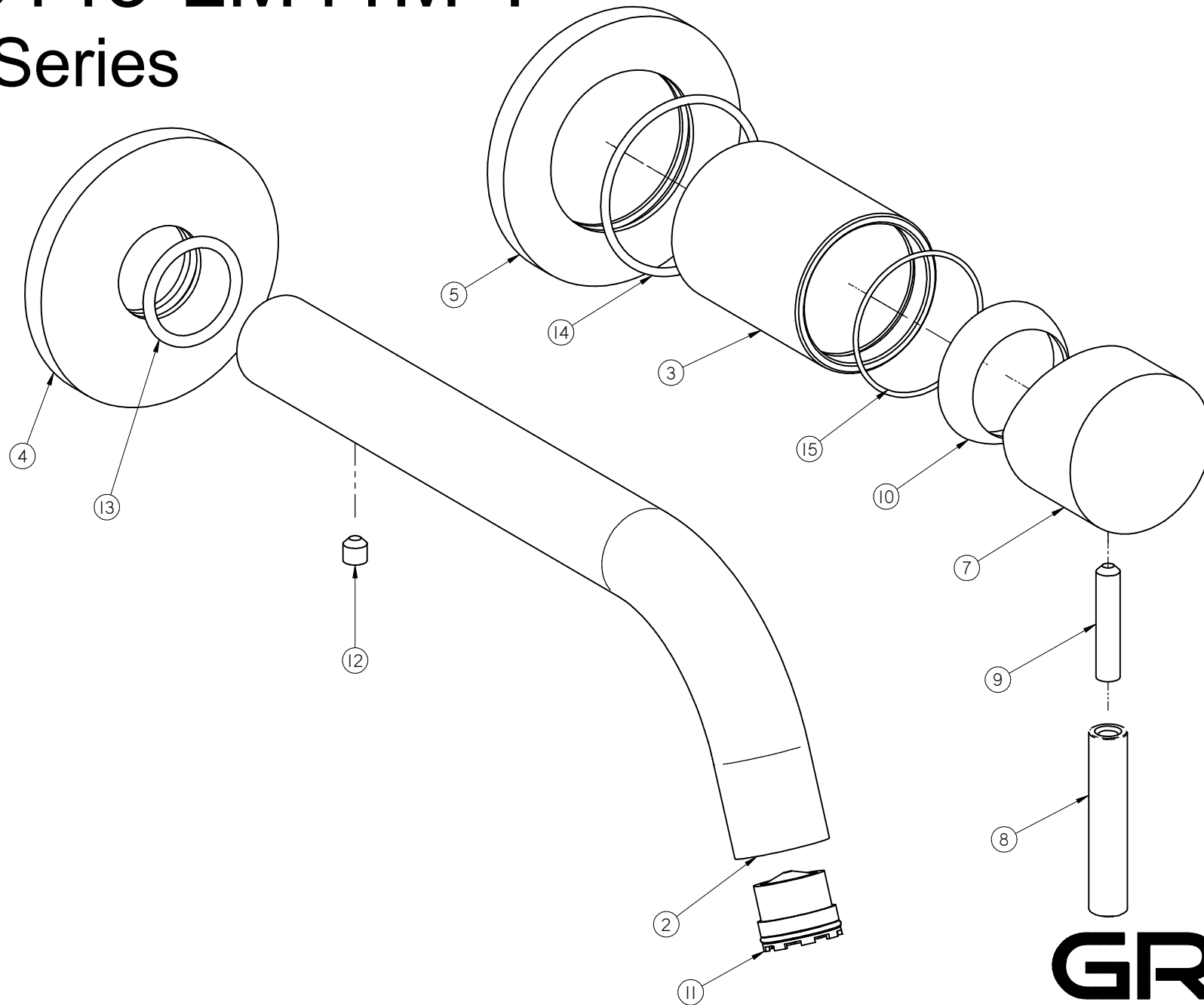


G-6143-LM41M-T

ME Series



GRAFF[®]
Art of Bath