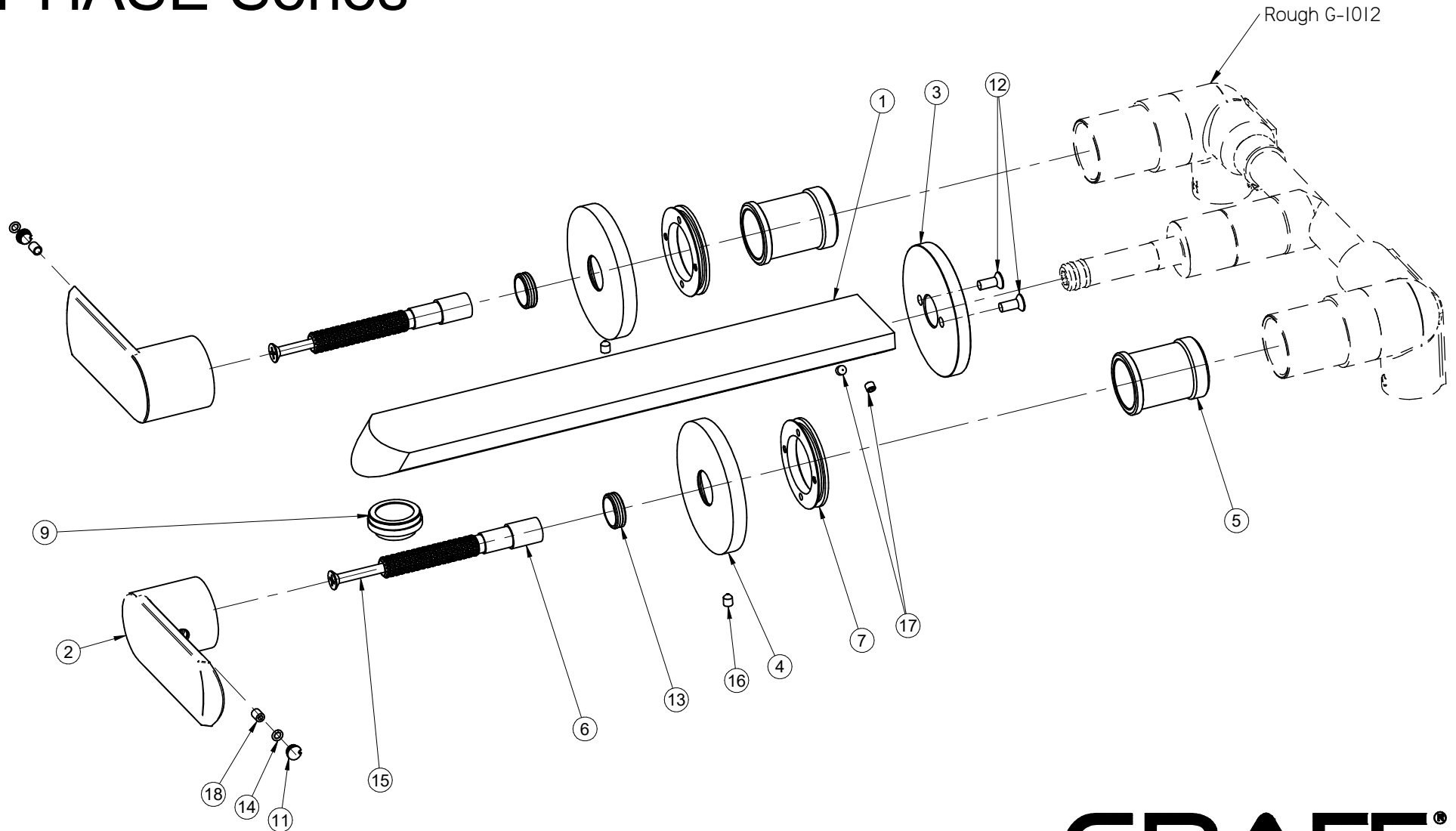


# G-6631-LM45B-\*\*-T

## PHASE Series



**GRAFF**<sup>®</sup>  
Art of Bath