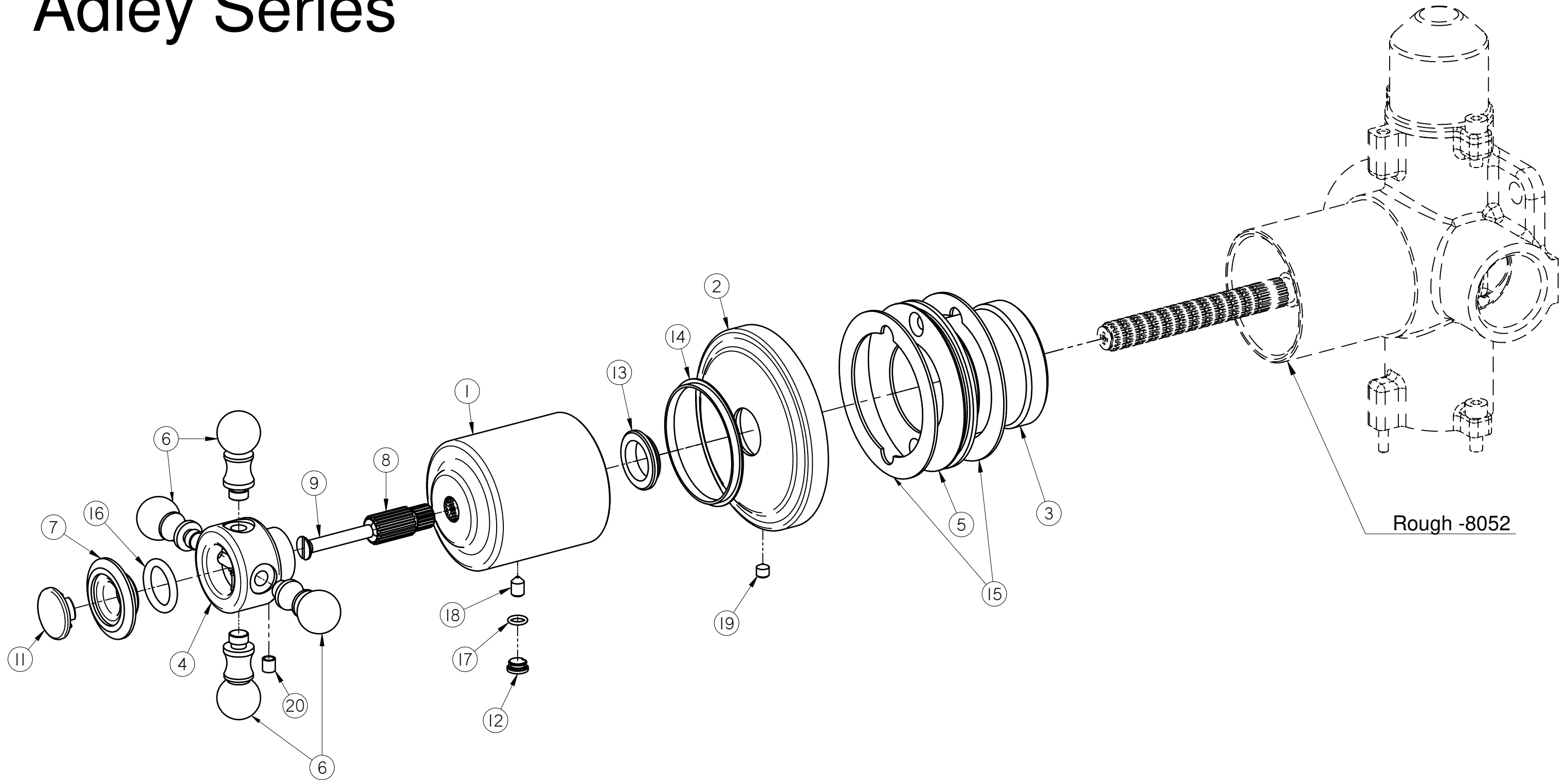


G-8038-C2E1-T

Adley Series



GRAFF®