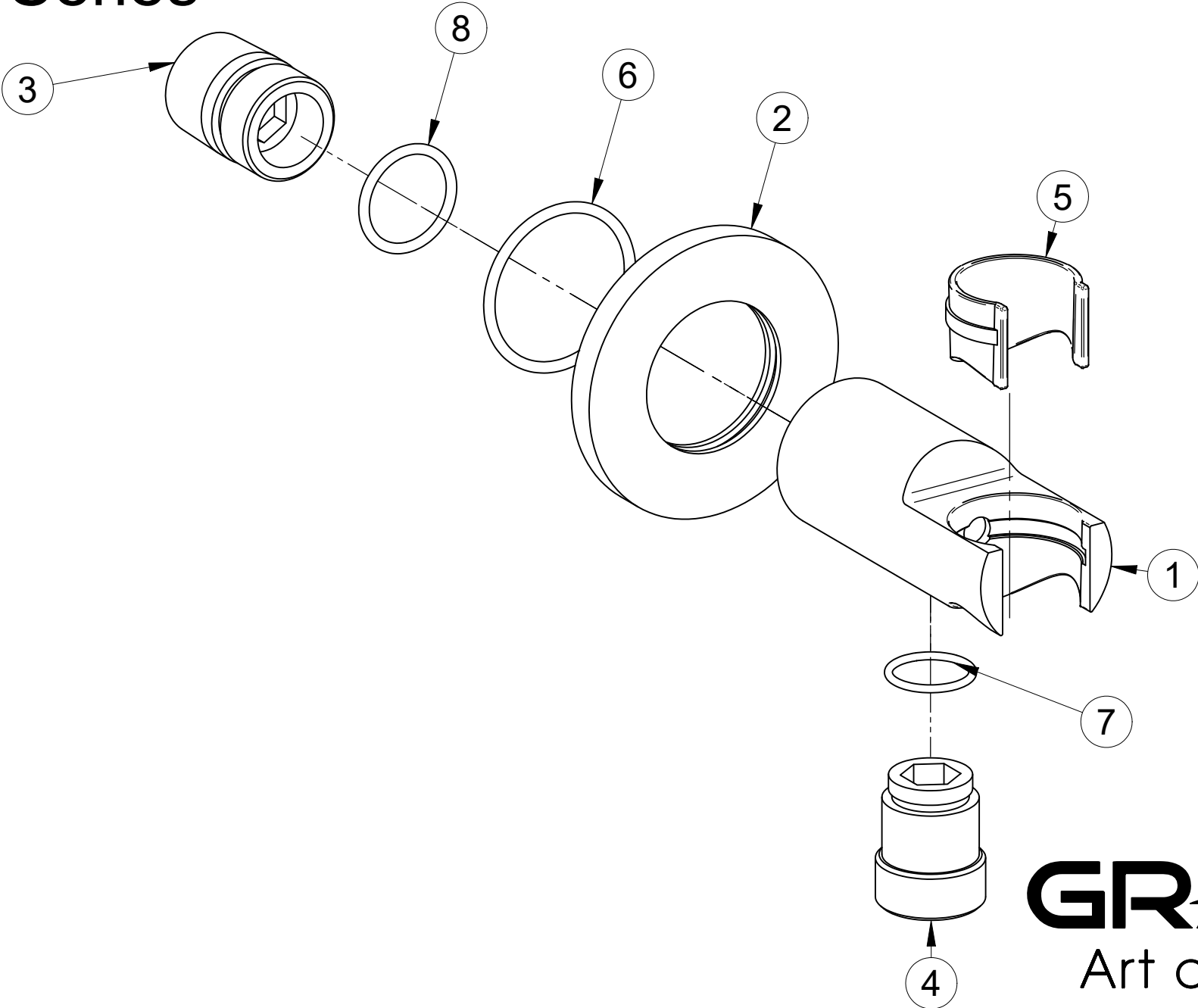


G-8618B-**

ME Series



GRAFF®
Art of Bath