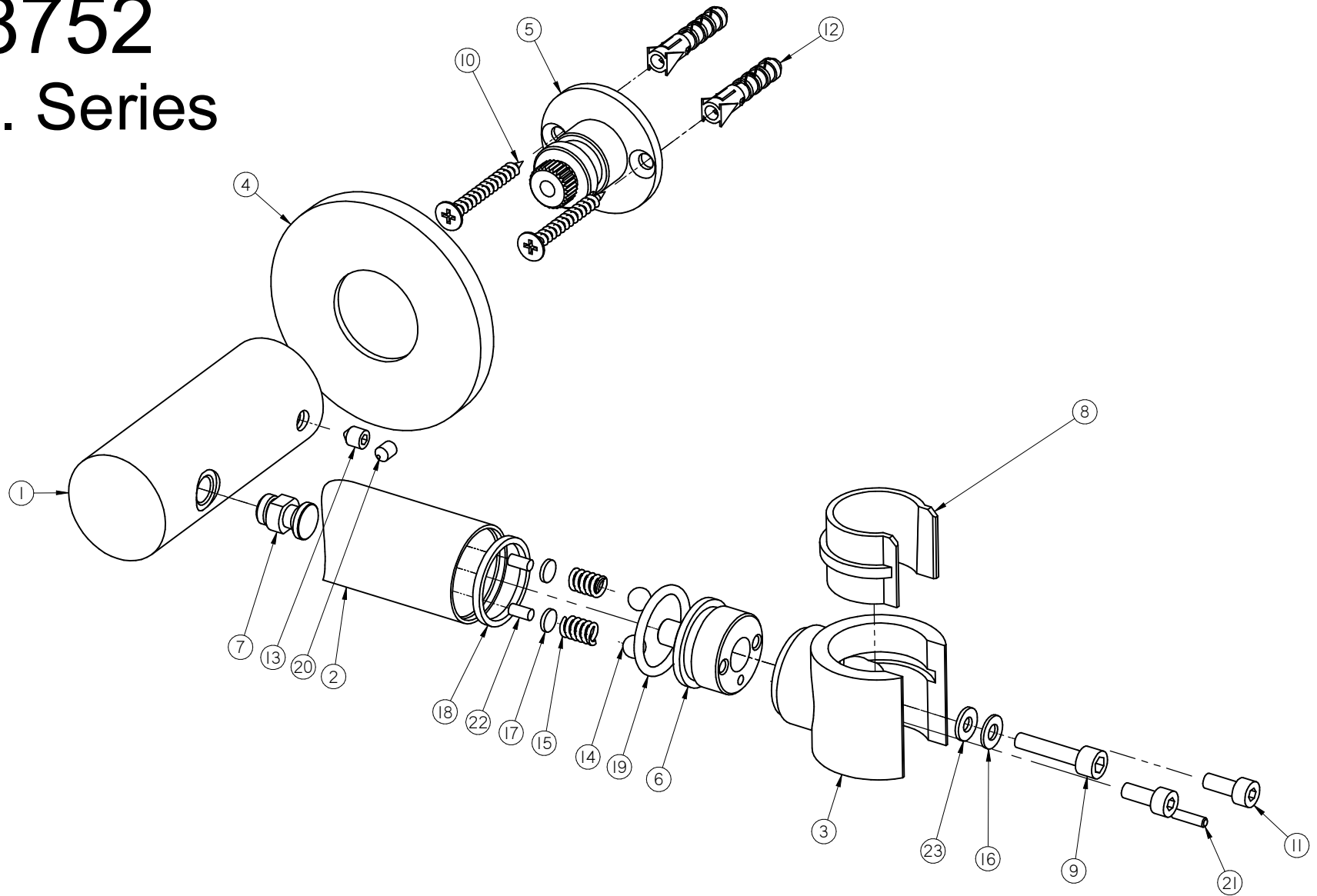


# G-8752

## M.E. Series



**GRAFF**<sup>®</sup>  
Art of Bath