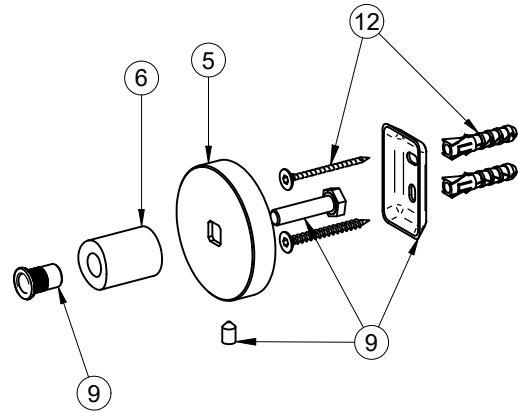
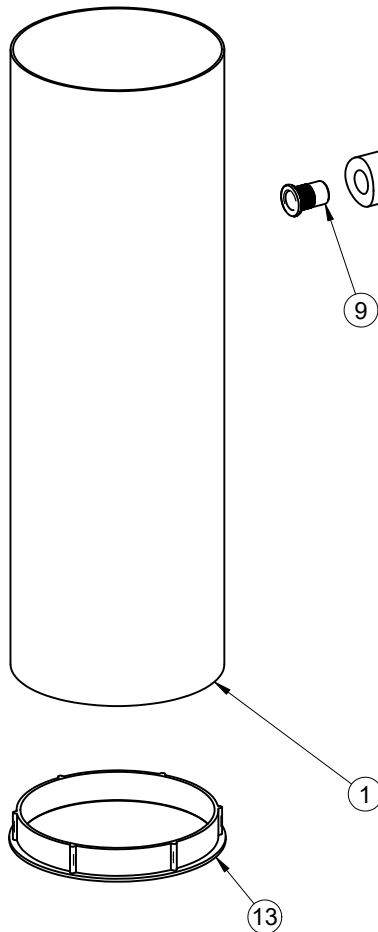
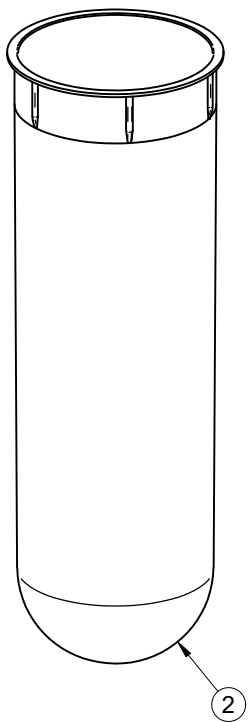
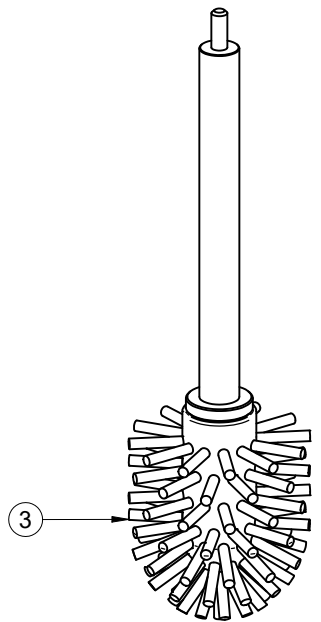
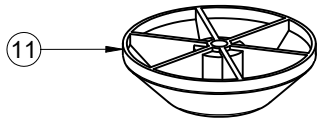
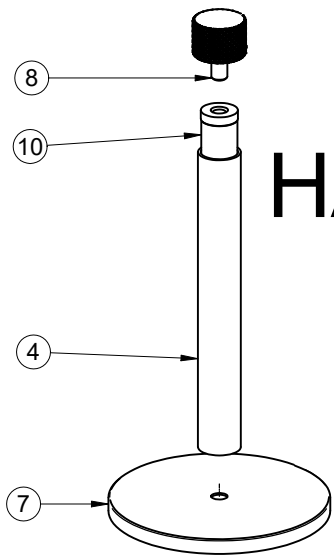


G-9013-**

HARLEY, CAMEO, MOD+ Series



GRAFF[®]
Art of Bath