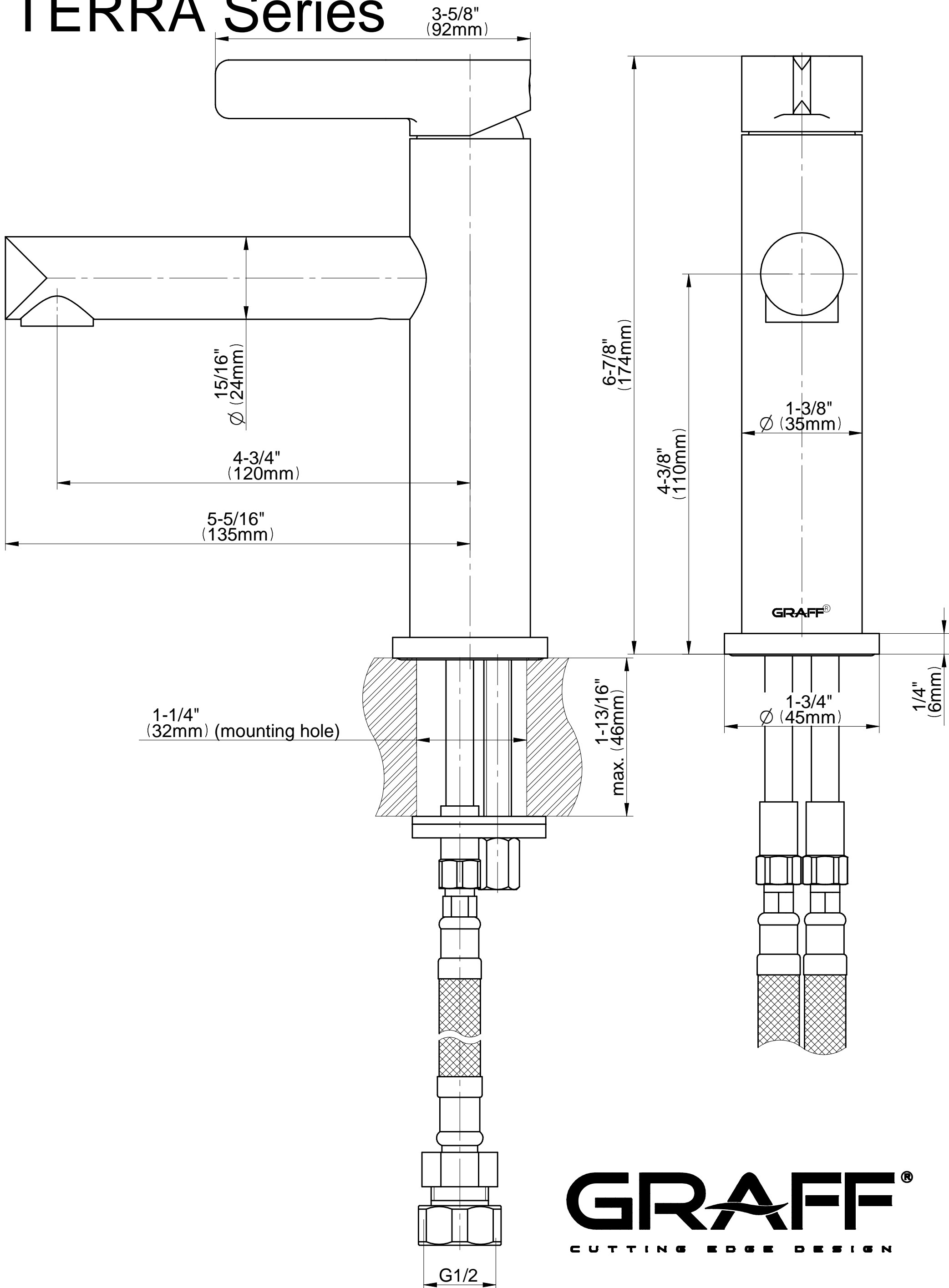


5301600

TERRA Series



GRAFF®
CUTTING EDGE DESIGN