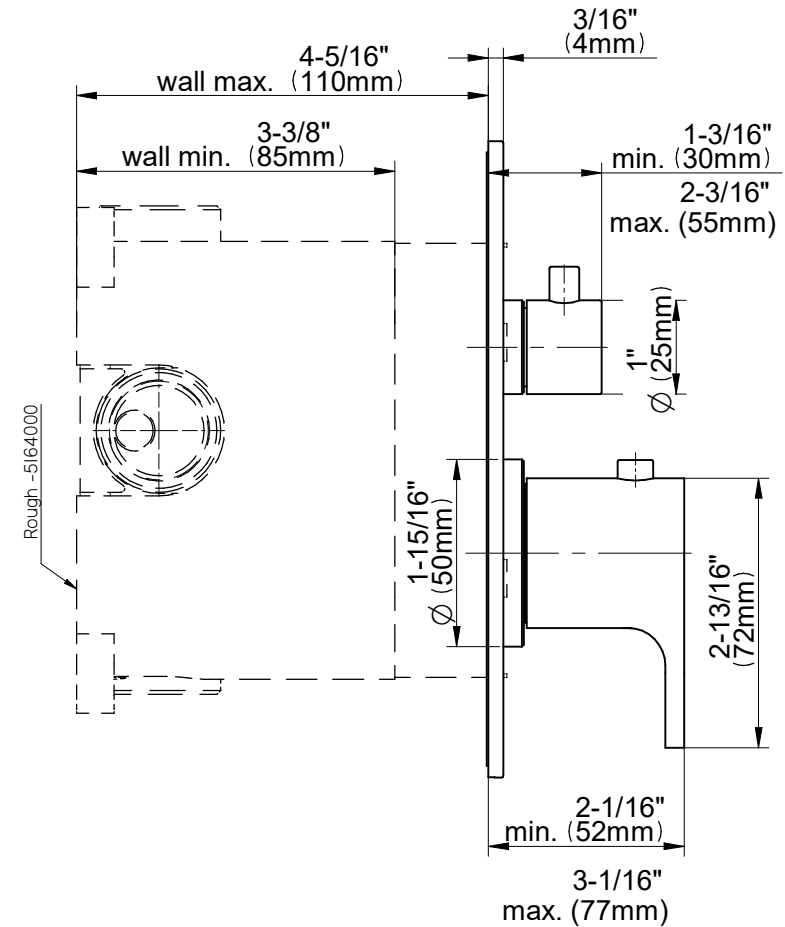
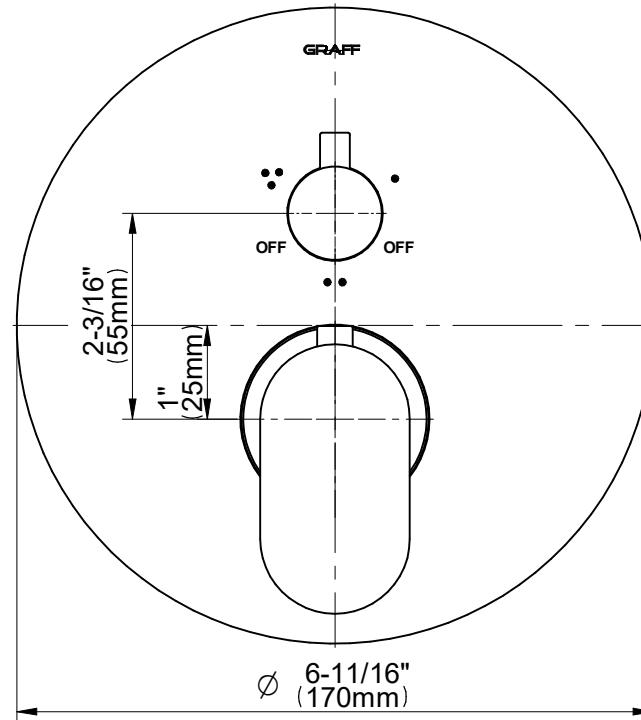
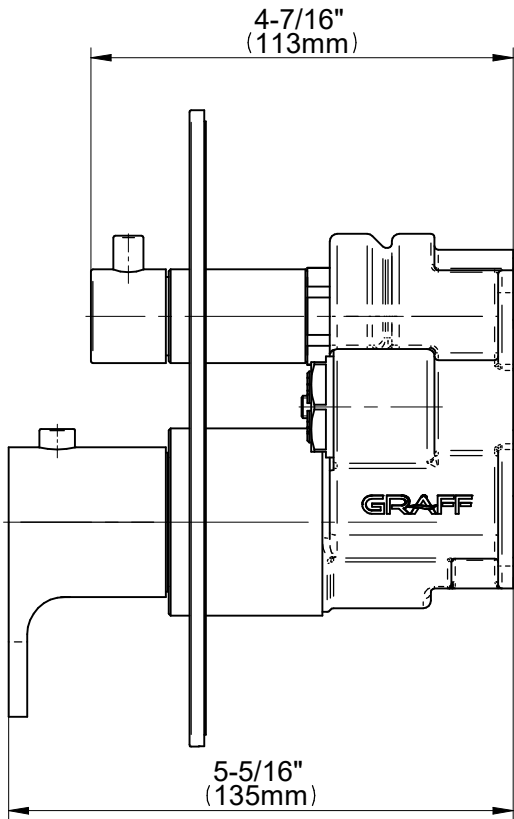


# E-18037-LM44E-\*\*-T

## Uni-Box Series



**GRAFF®**  
Art of Bath