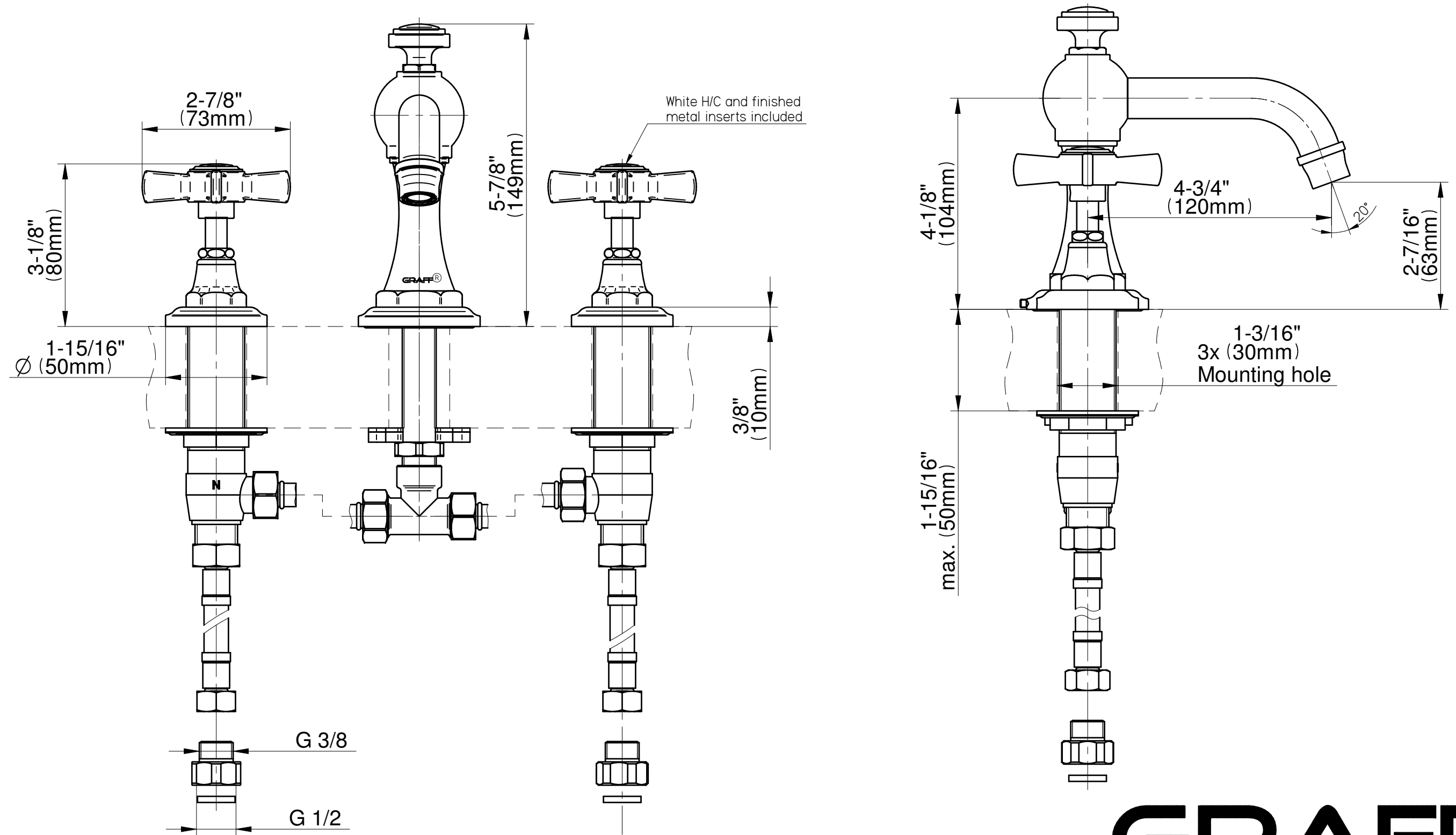


# E-6910-C16B

## CAMDEN Series



**GRAFF**<sup>®</sup>  
Art of Bath