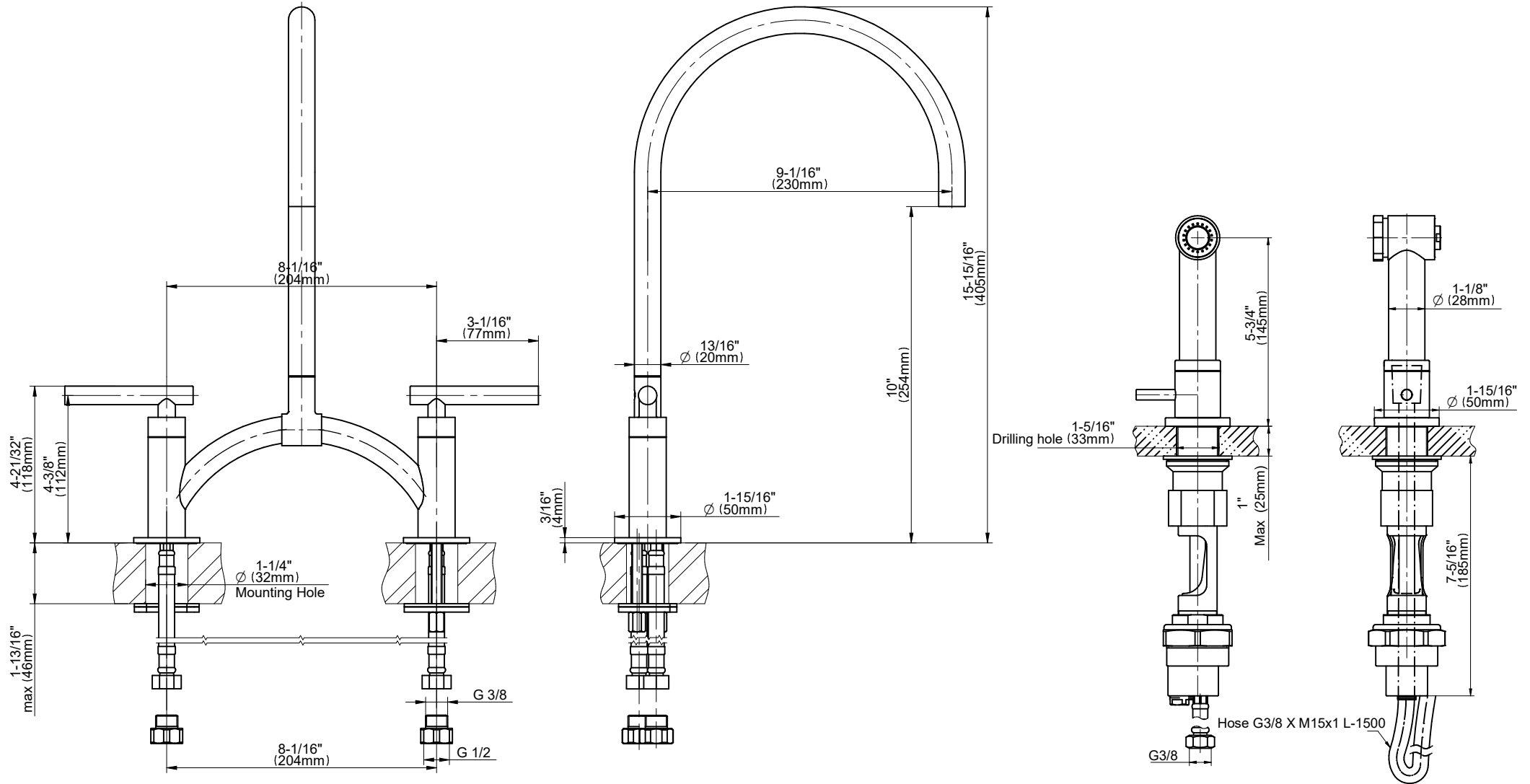


# E-4895-LM49

## SOSPIRO Series



**GRAFF®**  
Art of Bath