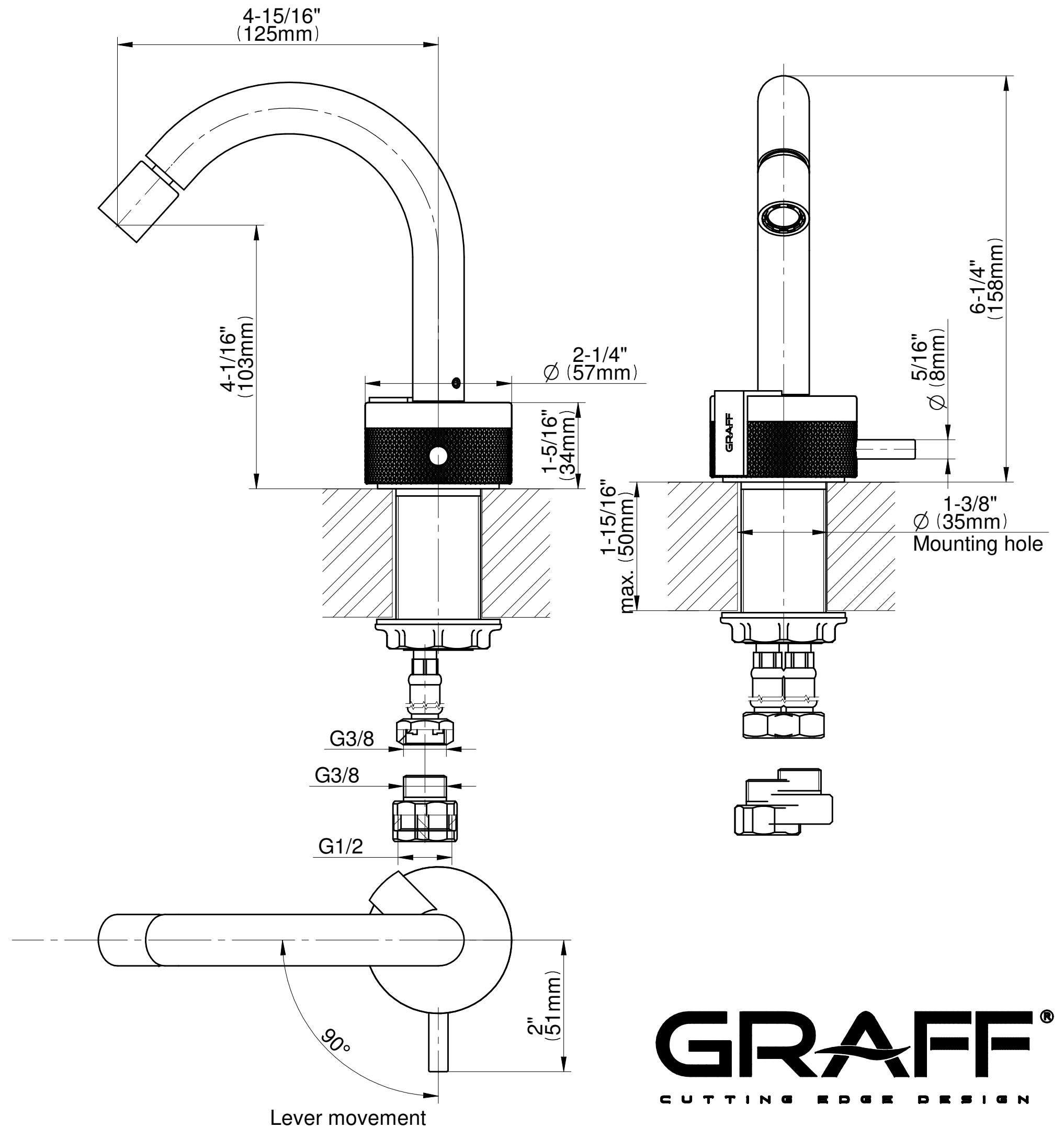


E-11562-L2 MOD+ Series



GRAFF[®]
CUTTING EDGE DESIGN