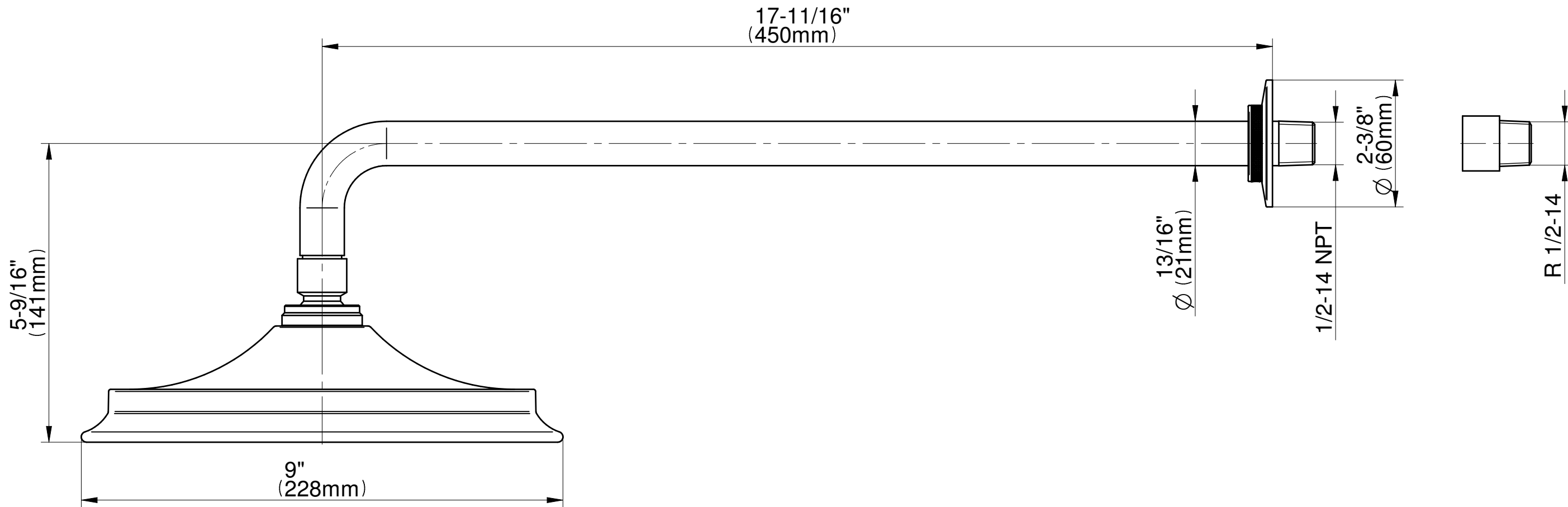


E-8374

VIGNOLA Series



GRAFF®