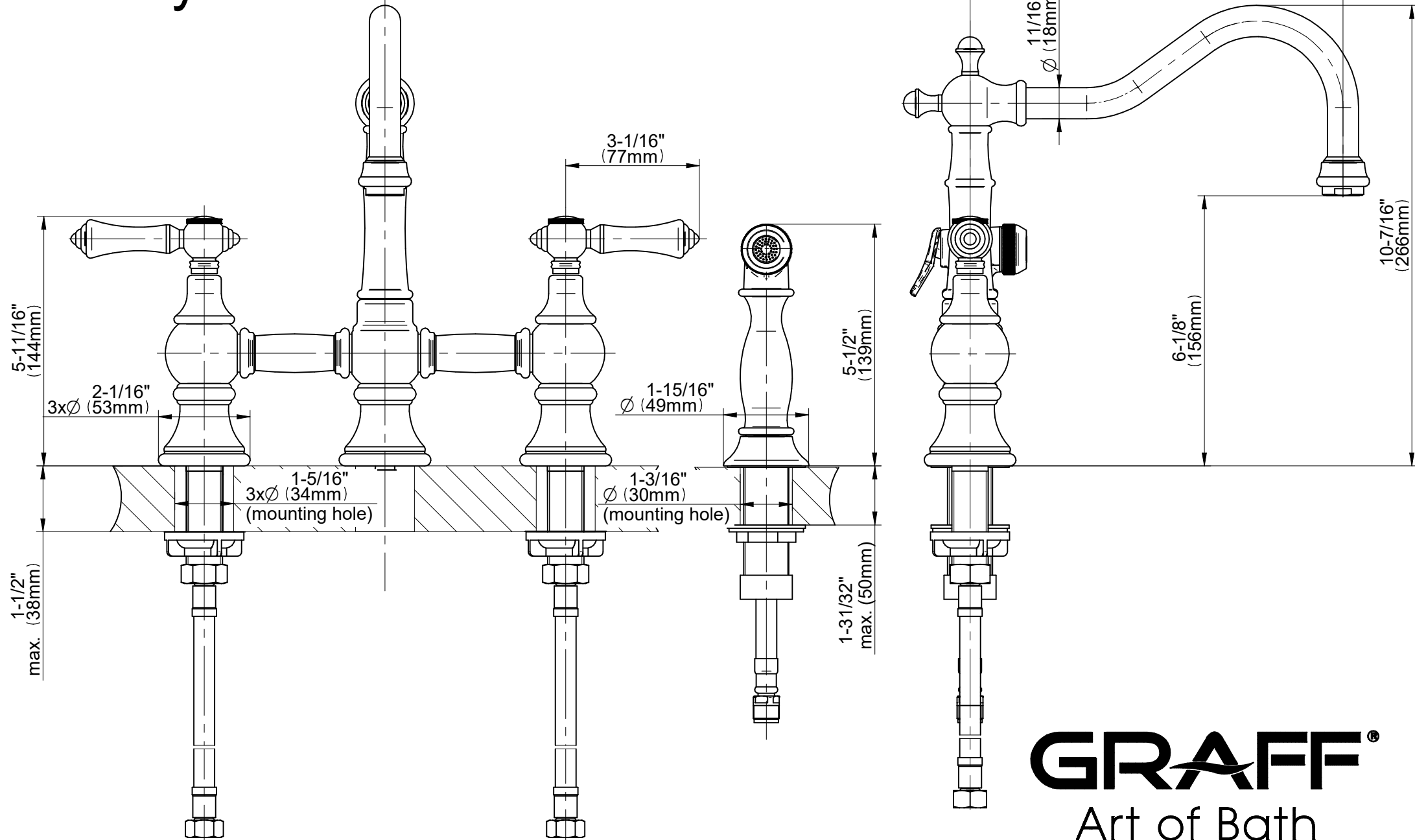


# E-4845-LM15

## Adley Series



**GRAFF<sup>®</sup>**  
Art of Bath