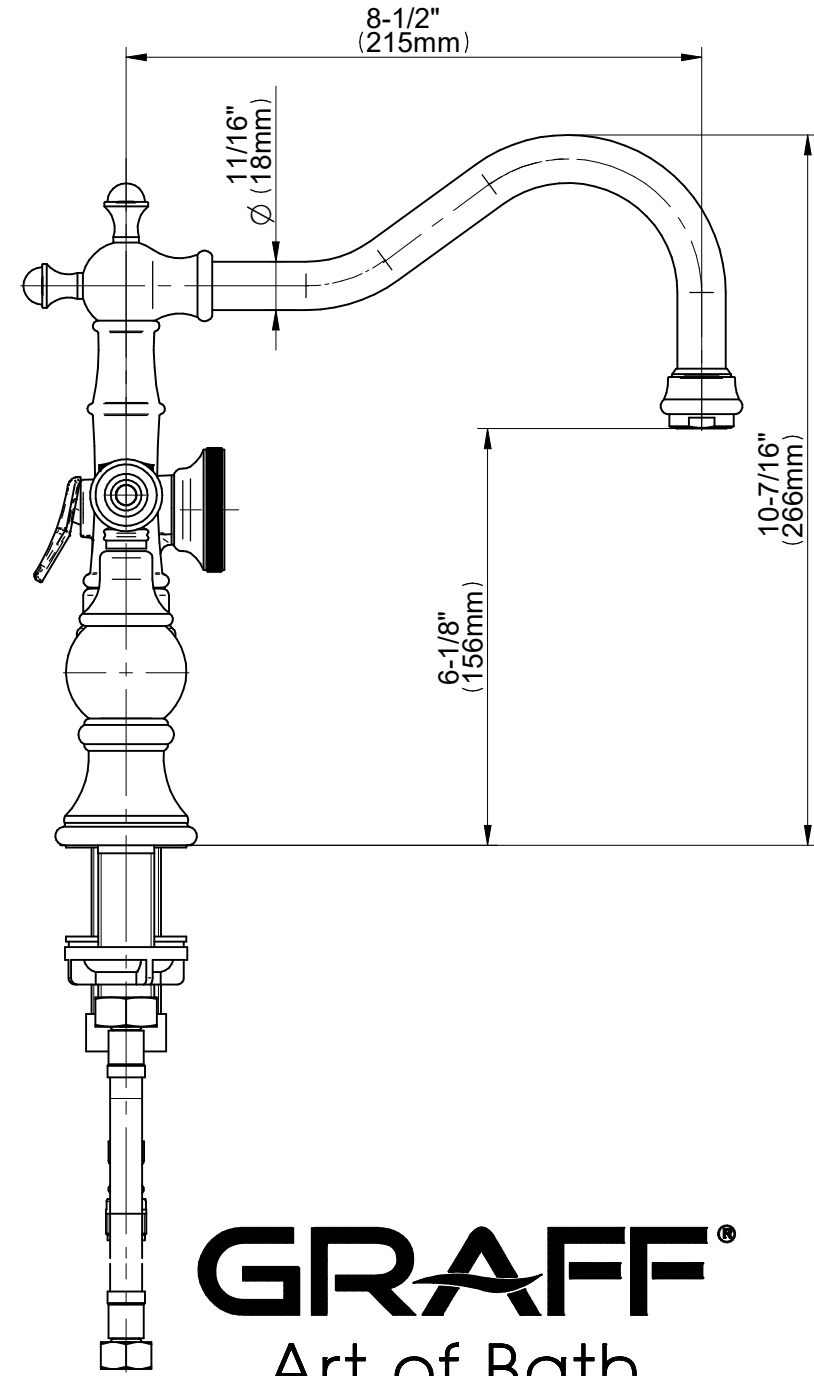
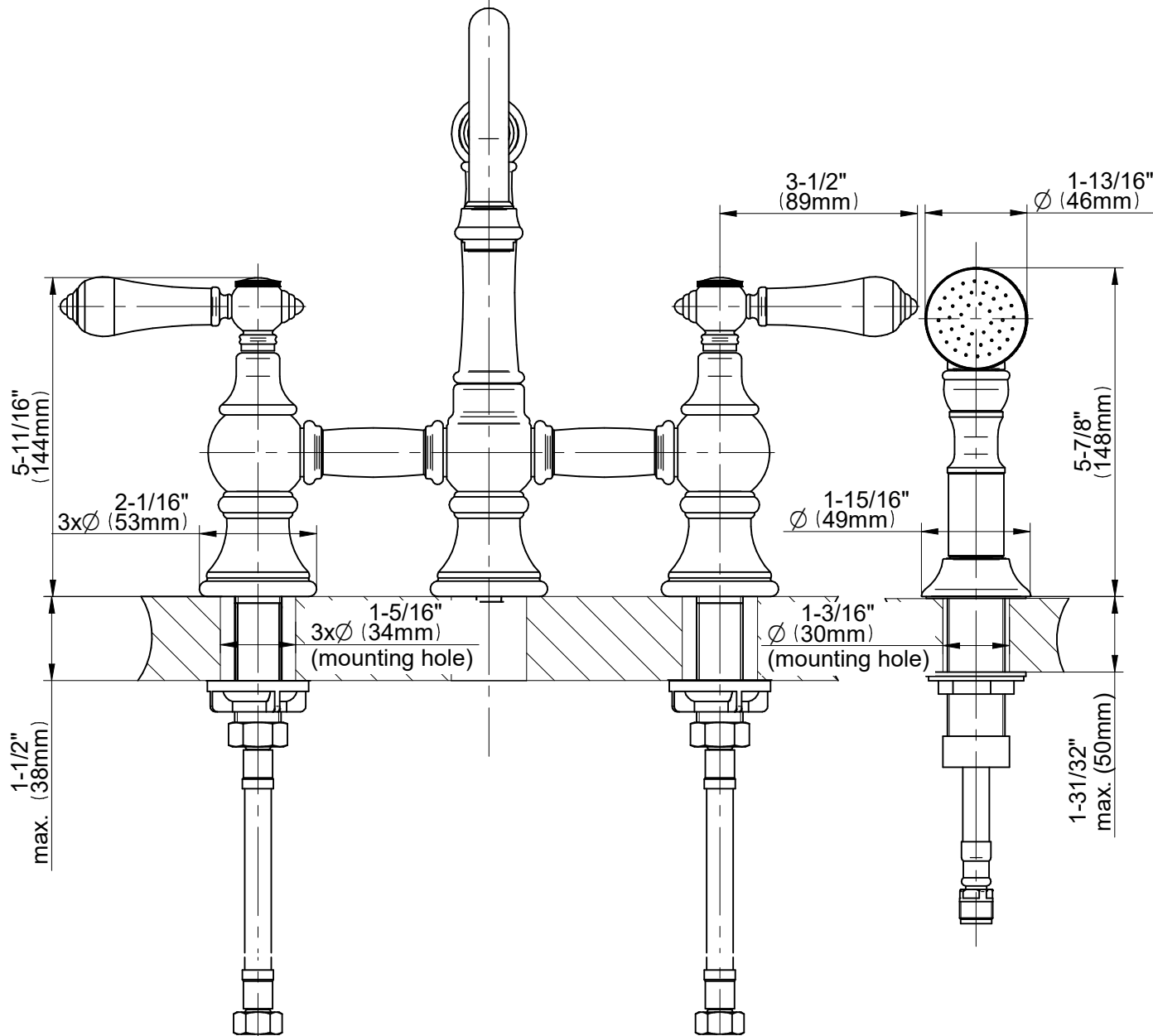


# E-4846-LM34

## Adley Series



**GRAFF**<sup>®</sup>  
Art of Bath