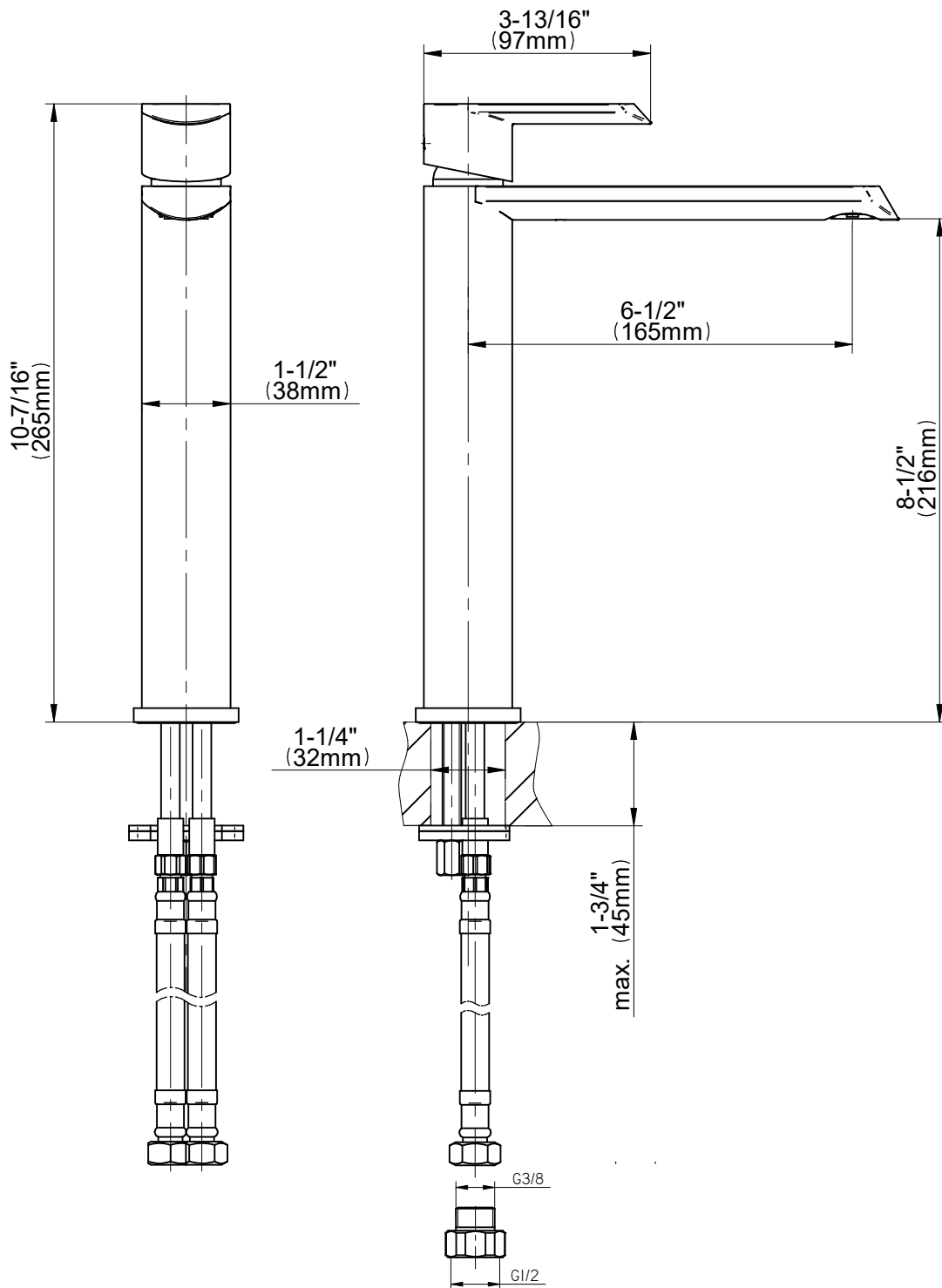


# E-6605-LM45

## PHASE Series



**GRAFF®**  
Art of Bath