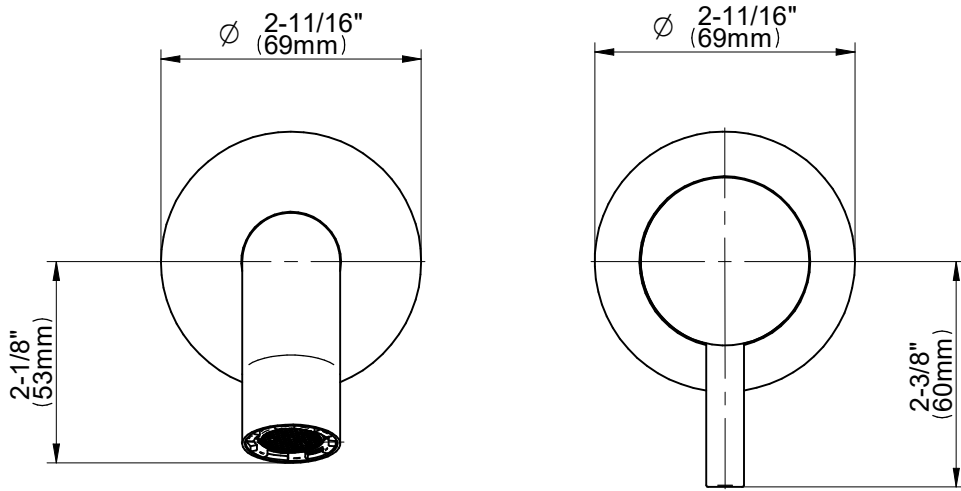


G-6136-LM41MW-T

M.E./M.E.25 Series



Rough G-1020A
or G-1029A

