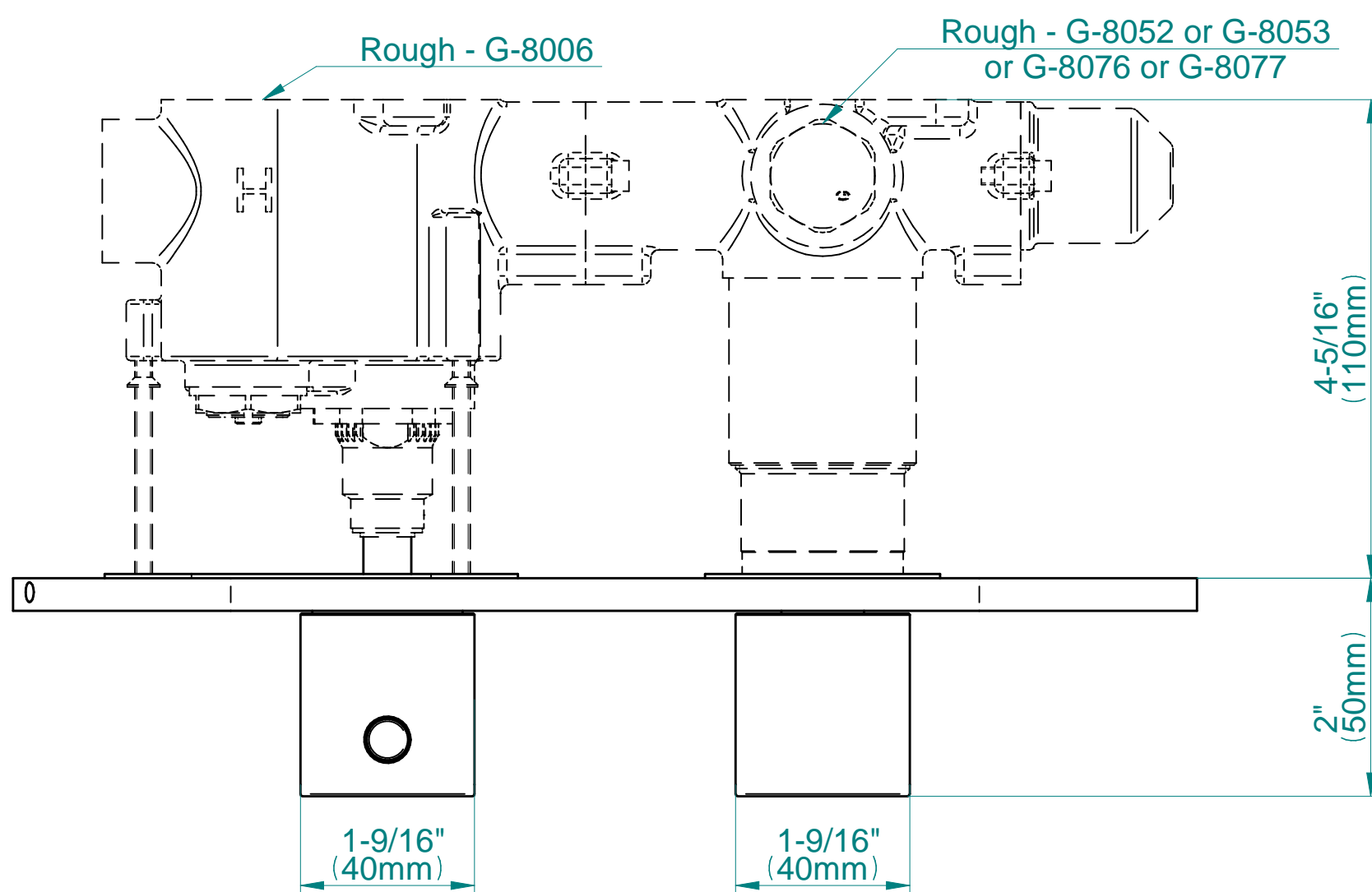
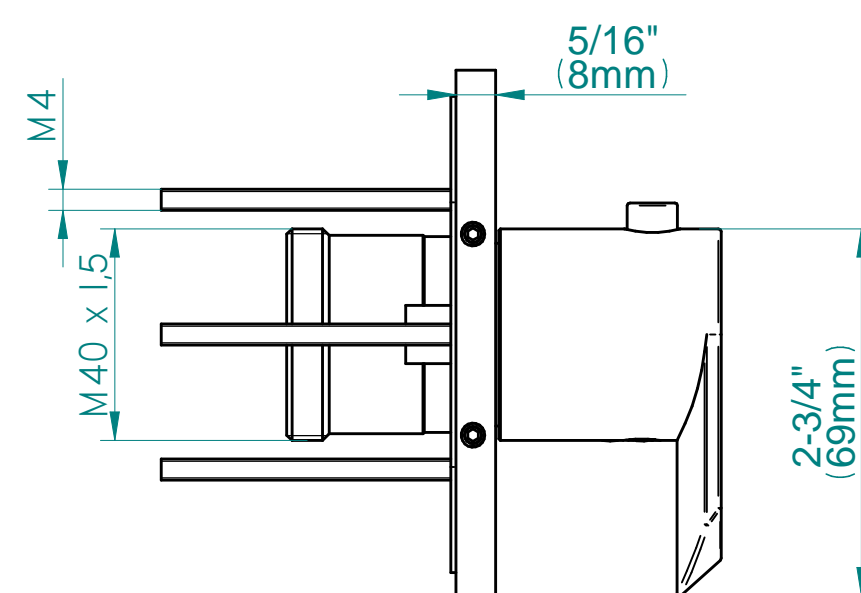
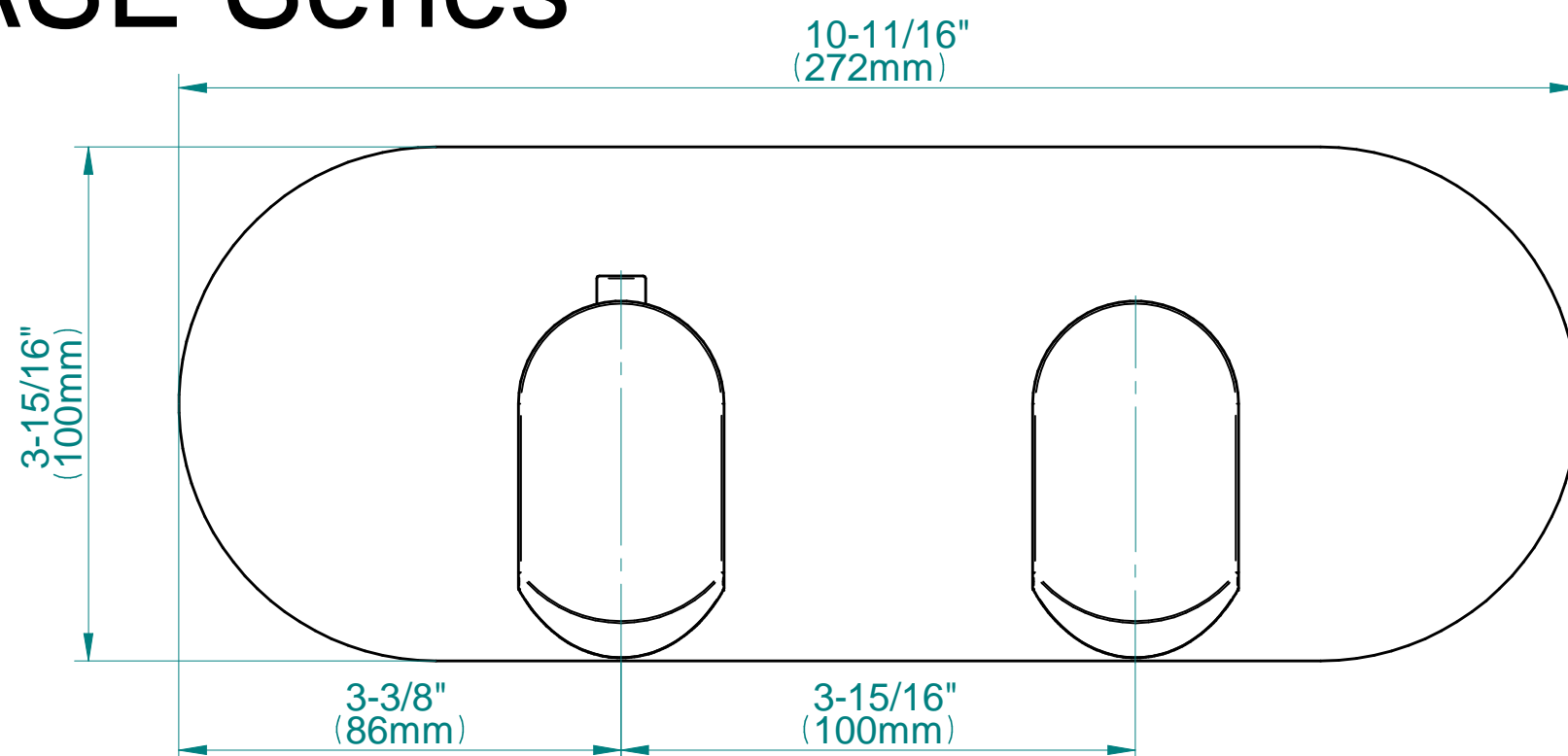


G-8047H-LM45E0-T

PHASE Series



GRAFF[®]
CUTTING EDGE DESIGN