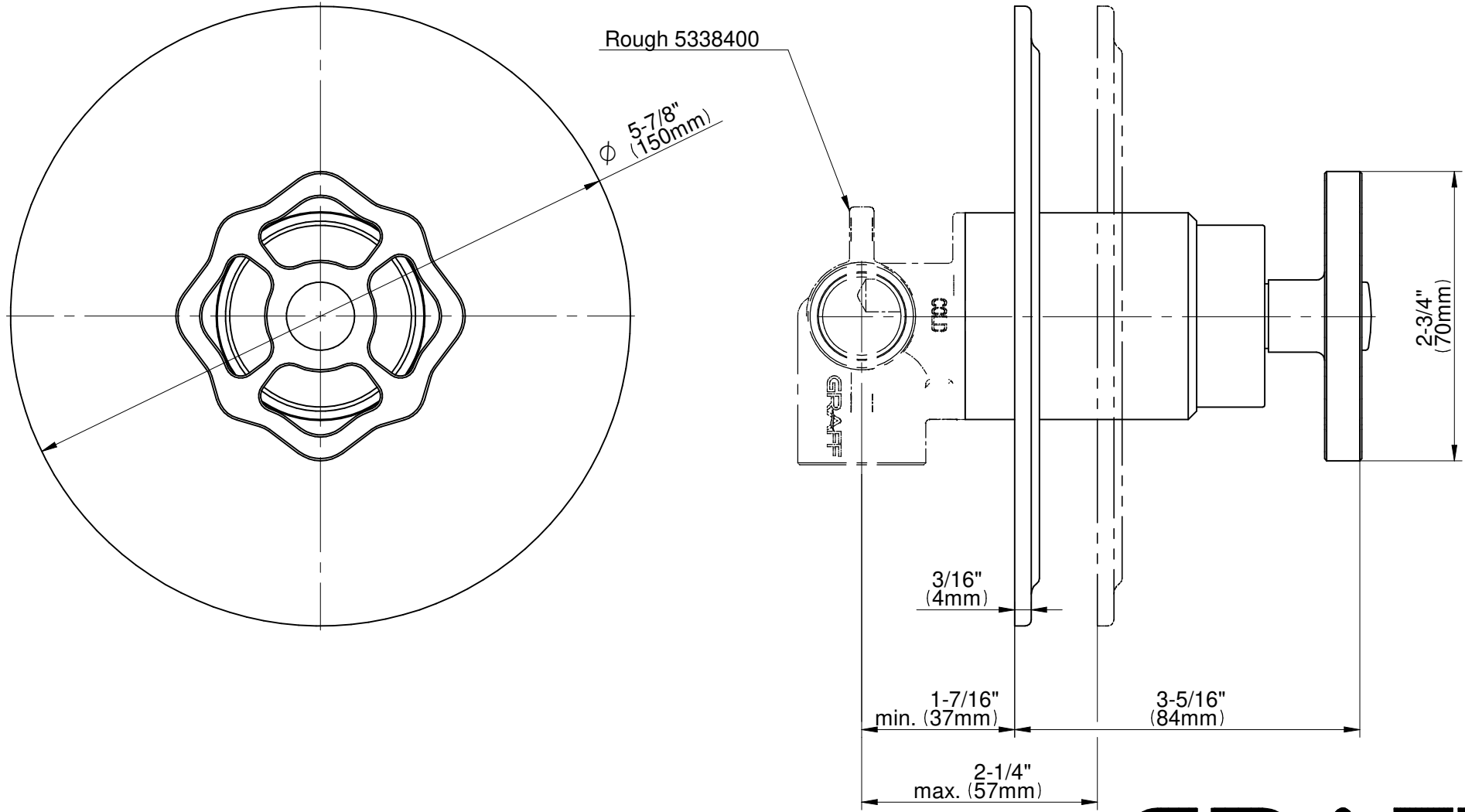


E-7036-C18-T

Vintage Series



GRAFF[®]
CUTTING EDGE DESIGN