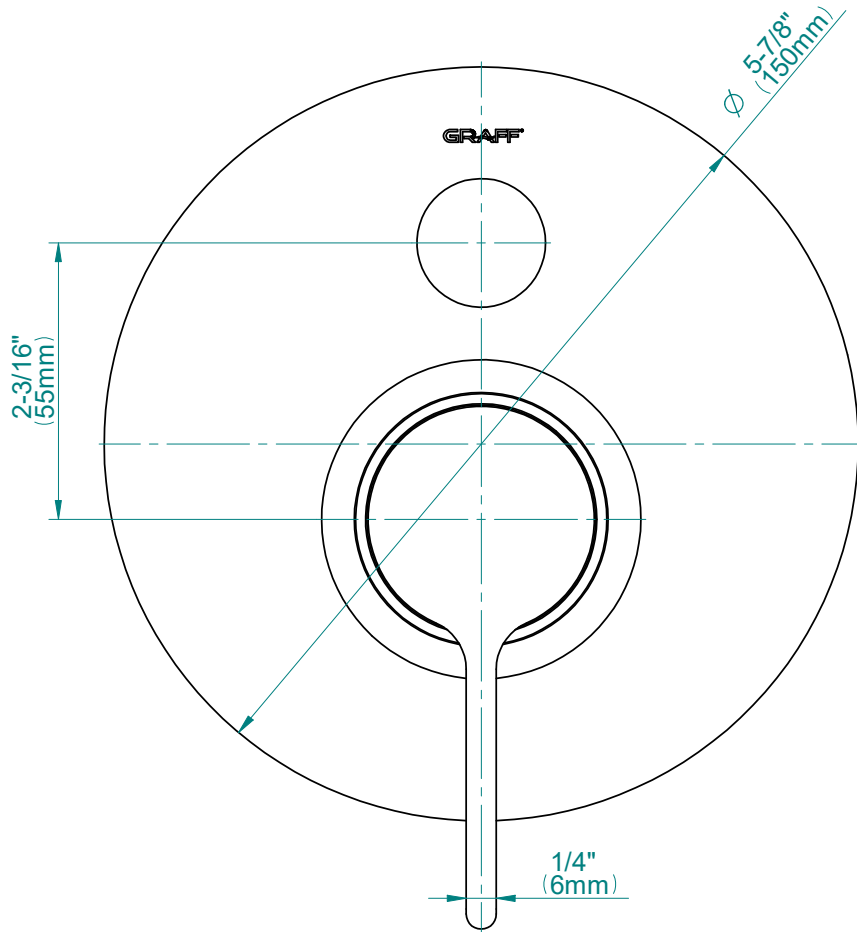
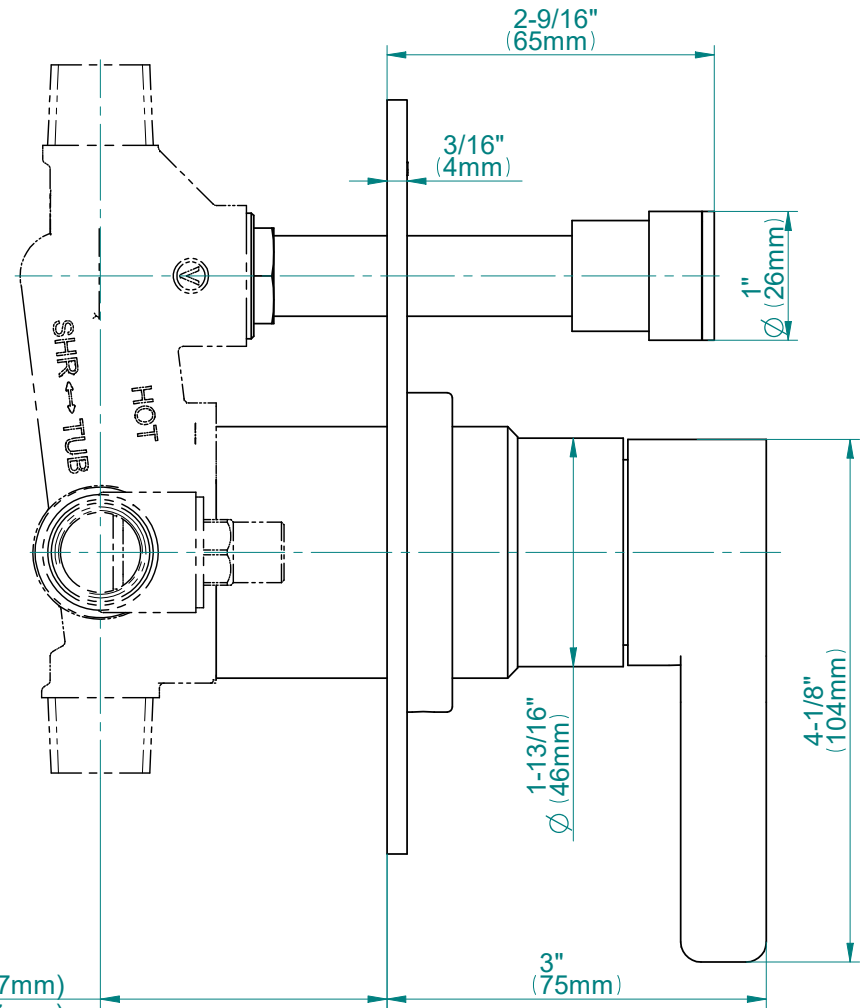


G-7080-LM46S

TERRA Series



Wall min 1-7/16" (37mm)
Wall max 2-1/4" (57 mm)



GRAFF[®]
CUTTING EDGE DESIGN